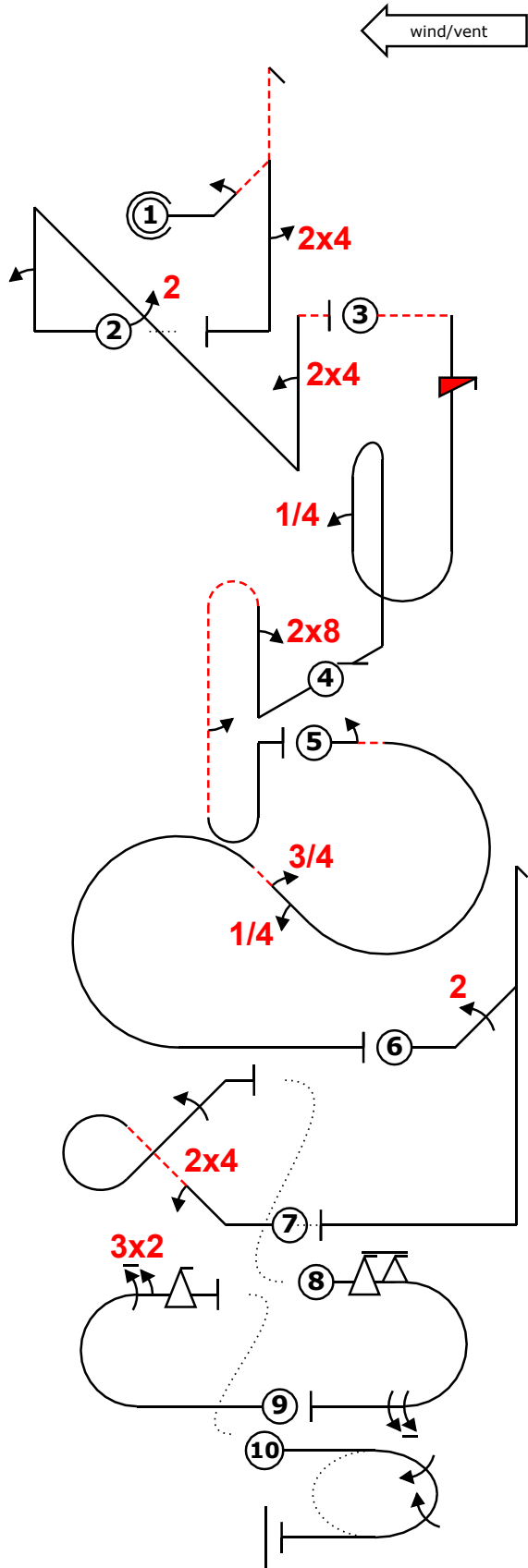


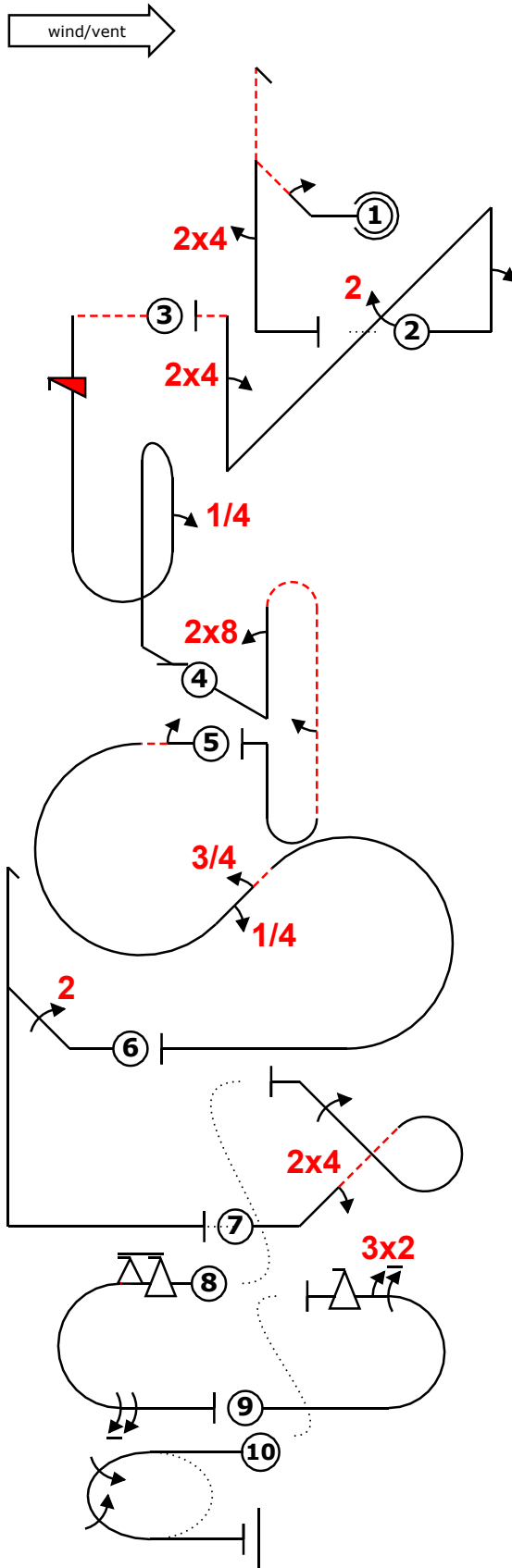
Pilot ID		Form B
CIVA Advanced Programme1		Flight #



"@A" "+" "2" dh(") "24." (-2,0) "@C" 2" pn("22...") "24-" -2% -is...ibb("4")...+ " @D" -2% ~'1,8' pbb(2.)+ " 7%2
'iac("4,3") + -3% 22dh(.)++++~ (2,0) -4% "@E" ~ " "24.. 'g.1' + (0,13) "6fa9~ -1% "@B" . "f+ " (-1,9) 2j2

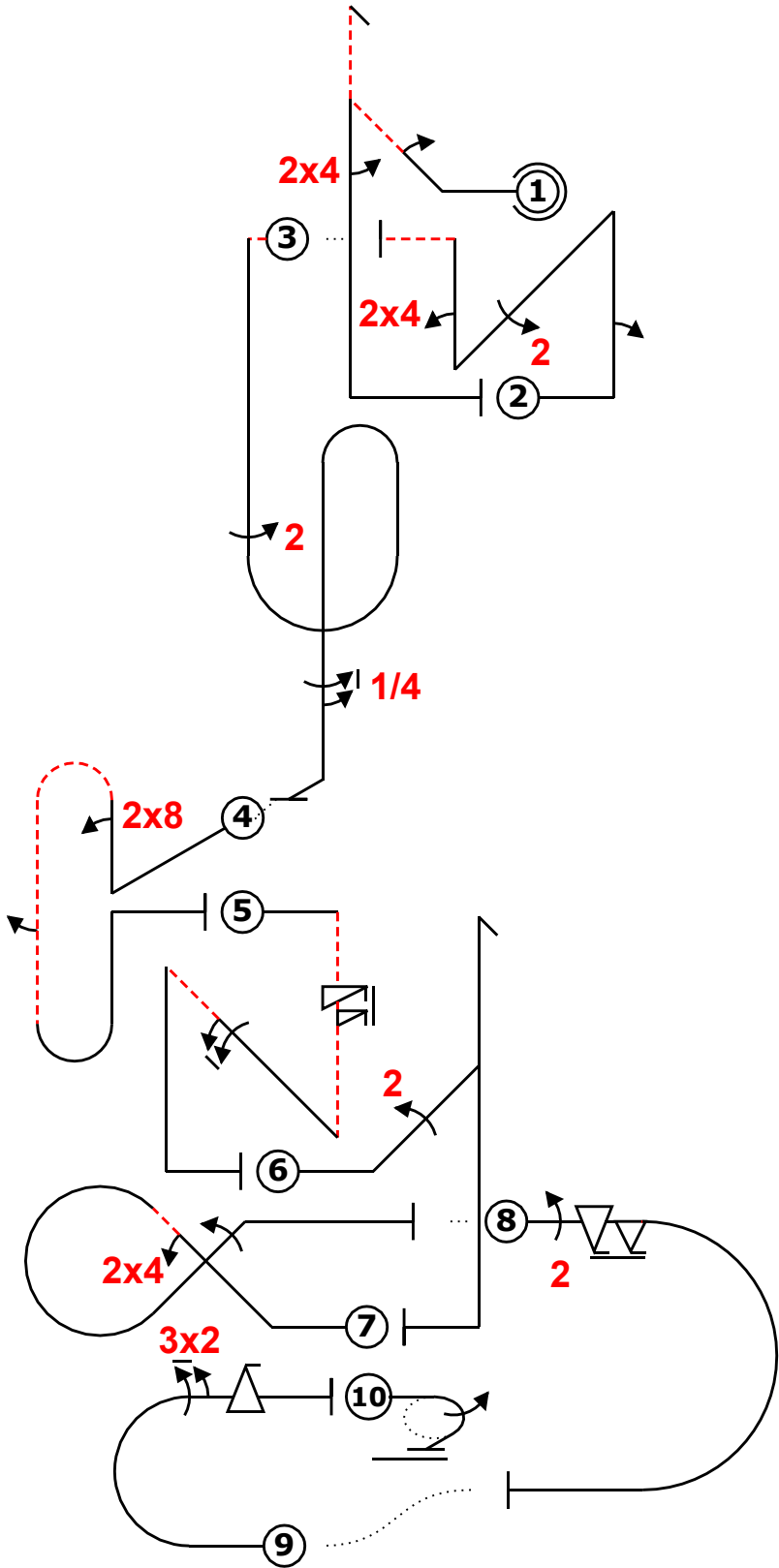
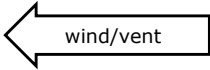
Audrey Pilot
EXTRA FHOV A/C

Pilot ID		Form C
CIVA Advanced Programme1		Flight #

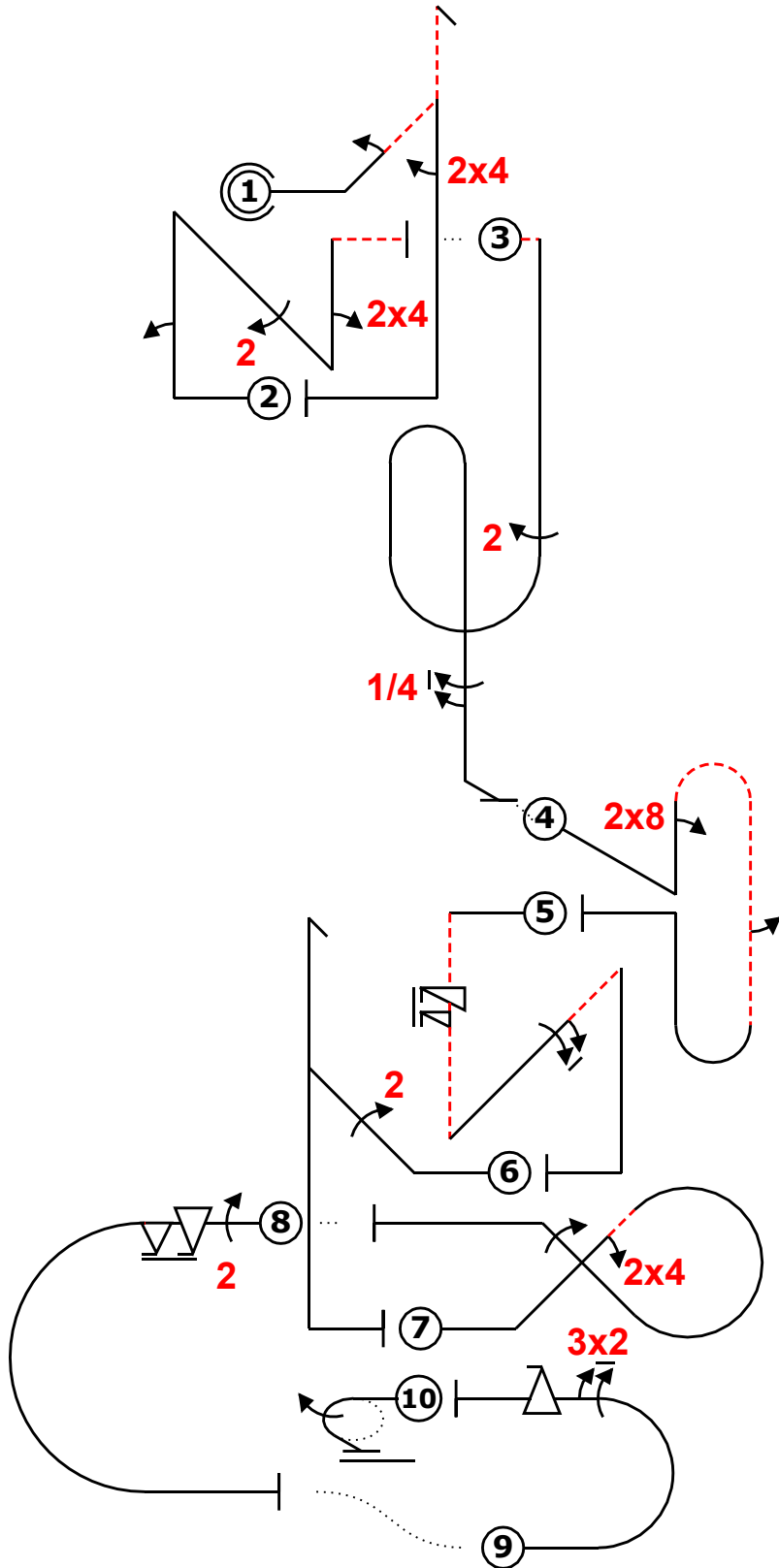
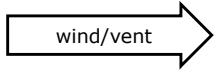


"@A" "+" "2" dh(") '24.' (-2,0) "@C" 2" pn("22...") "24-" -2% -is...ibb("4")...+ " @D" -2% ~'1,8' pbb(2.)+ " 7%2
'iac("4,3")+ -3% 22dh(.)++++~ (2,0) -4% "@E" ~ " "24.. 'g.1'+' (0,13) "6Fa9~ -1% "@B" .'"m32;"|"f+" (-1,9) 2j2

Audrey Pilot
EXTRA FHOV A/C

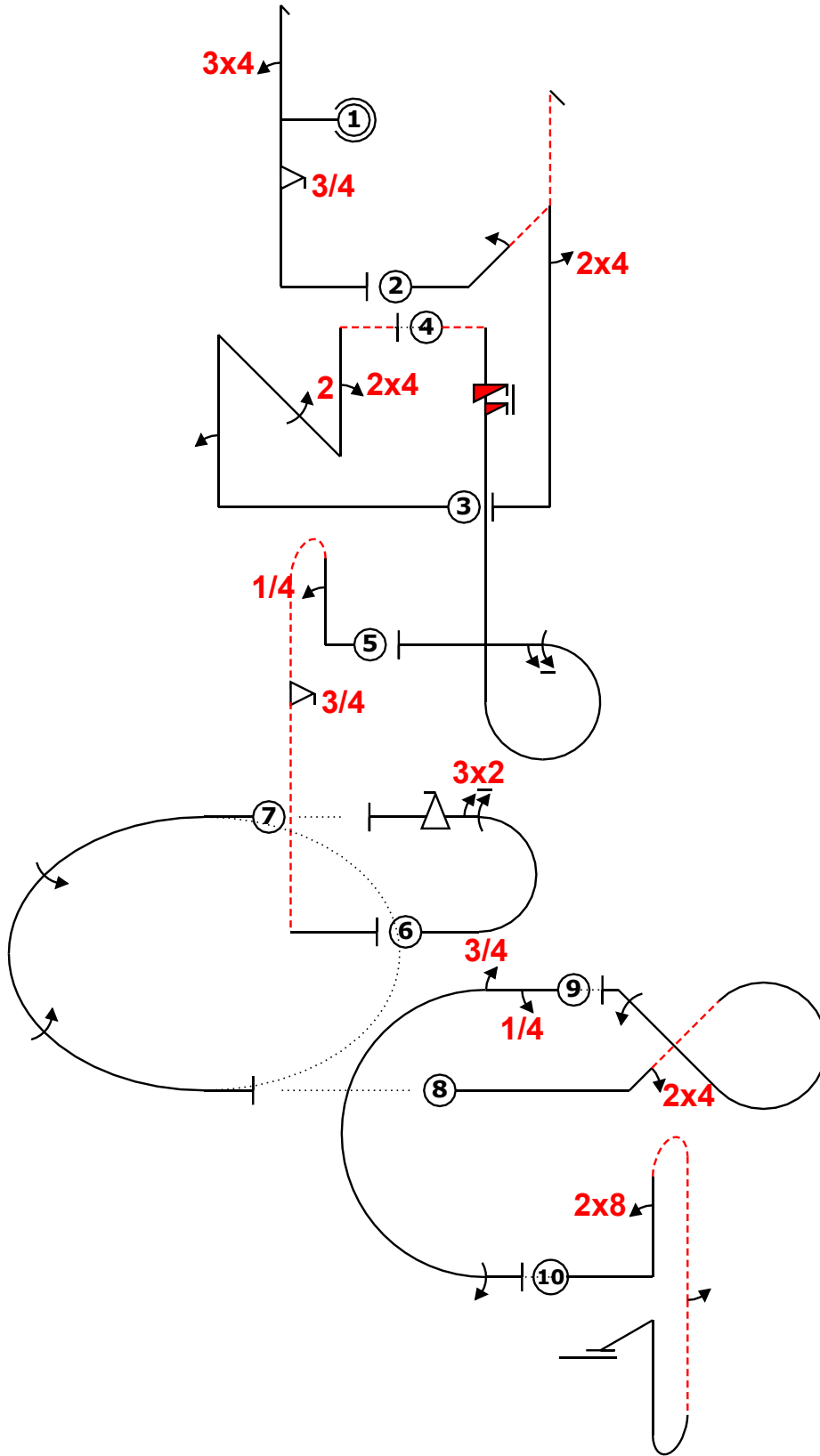
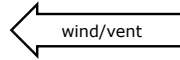


Pilot ID		Form C
CIVA Advanced Free Known		Flight #





Open Castres 2021		Form B
Pilot ID	CIVA Advanced Programme1	Flight #

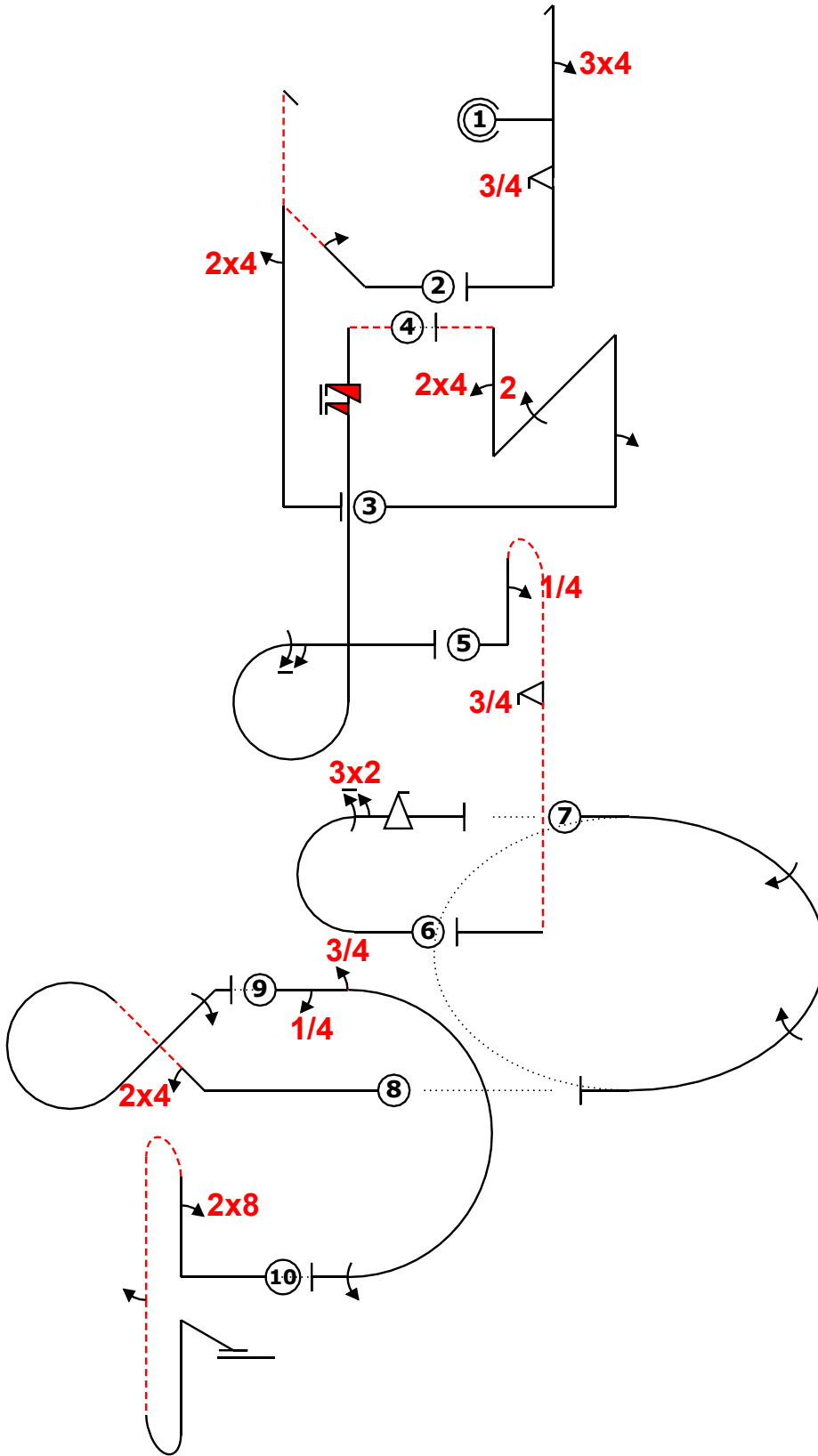
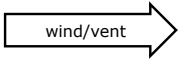


ed 34h3f...'~ "A" 2dh24..... "C" +++'2'pn(22)',24- (-2,0) '-6is....irp6+ 4pb''3f.... "@B" m,32;f (-3,0) 24%+2j2+ (9 ,0) "E" 1% ~++ ,24.'g1'+ (2,0) 15% 4,3a,1+ (-2,0) "D" 8'pbb(2.')'

C. RENOARD Pilot
CAP 231 F-GRSL A/C



Open Castres 2021		Form C
Pilot ID	CIVA Advanced Programme1	
	Flight #	



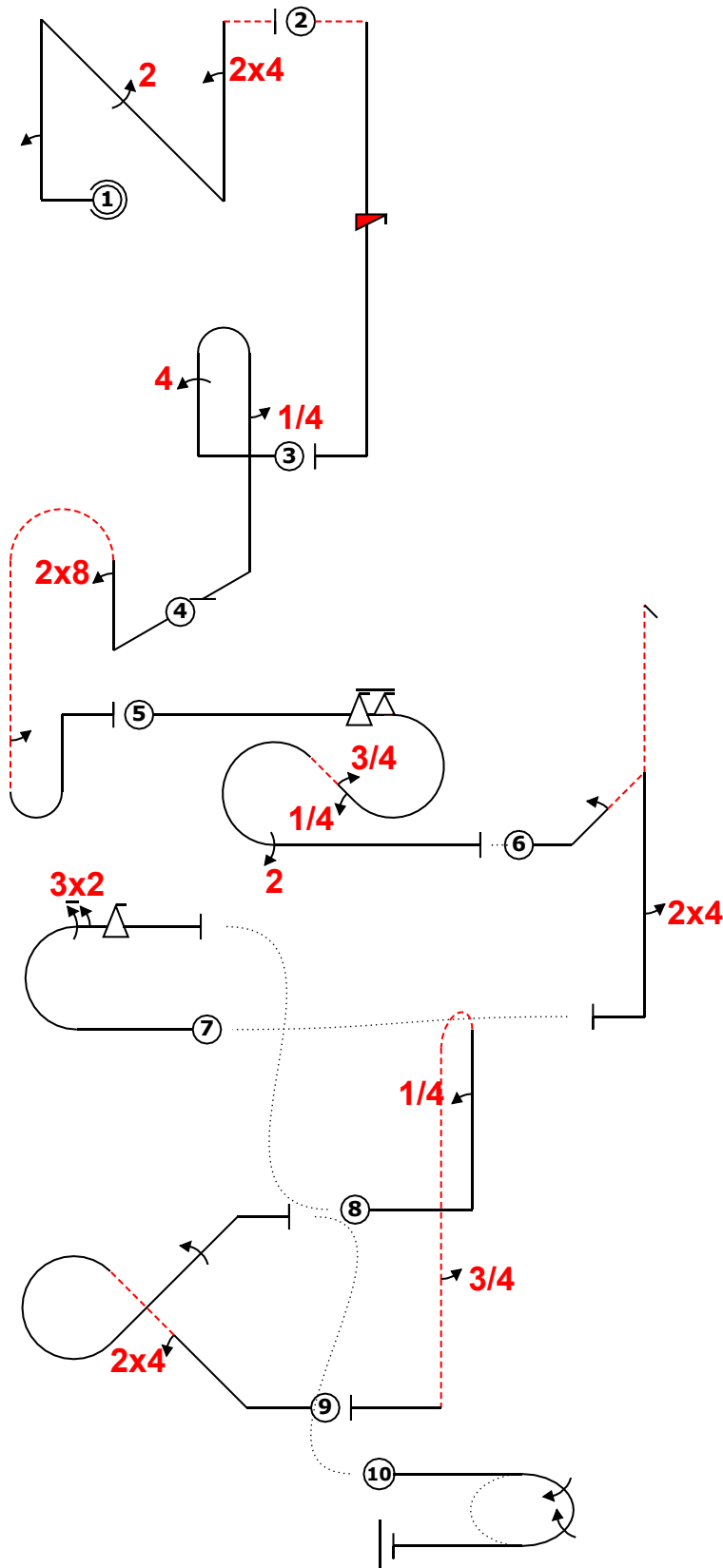
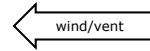
ed 34h3f...'~ "A" 2dh24..... "C" +++'2'pn(22)',24- (-2,0) '-6is....irp6+ 4pb'3f.... "@B" m,32;f (-3,0) 24%+2j2+ (9 ,0) "@E" 1% ~++ ,24.'g1'+ (2,0) 15% 4,3a,1+ (-2,0) "@D" 8'pbb(2.')'

C. RENOARD Pilot
CAP 231 F-GRSL A/C

Pilot ID

Flight #

CIVA Advanced Programme1



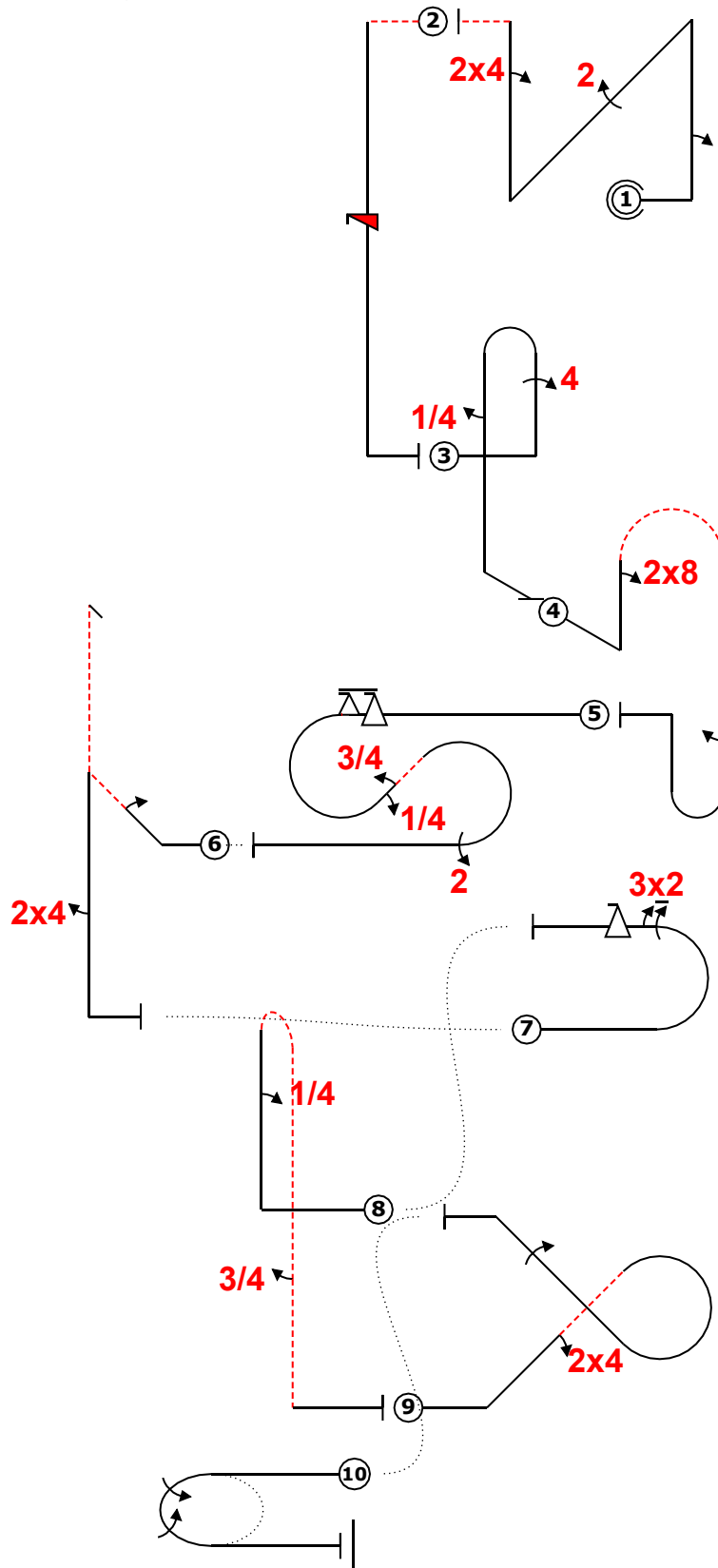
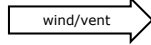
ed "@C" '2.pn('22...').'"|24- -iv... 'is... ' 44b'4... ' "@0" ~'8pBb(. '2)+''> "|6fiac('4,3),22 (-1,0) "@A" `+2dh(. '24... (-26,1) "@B" . 'm32;f~ (8,22) ~.4.pb....3... "@E" ~24.. 'g' '1' (3,20) ~+2j2+~

MARIN C Pilot
EXTRA330 FHSDA
A/C

Pilot ID

Flight #

CIVA Advanced Programme1



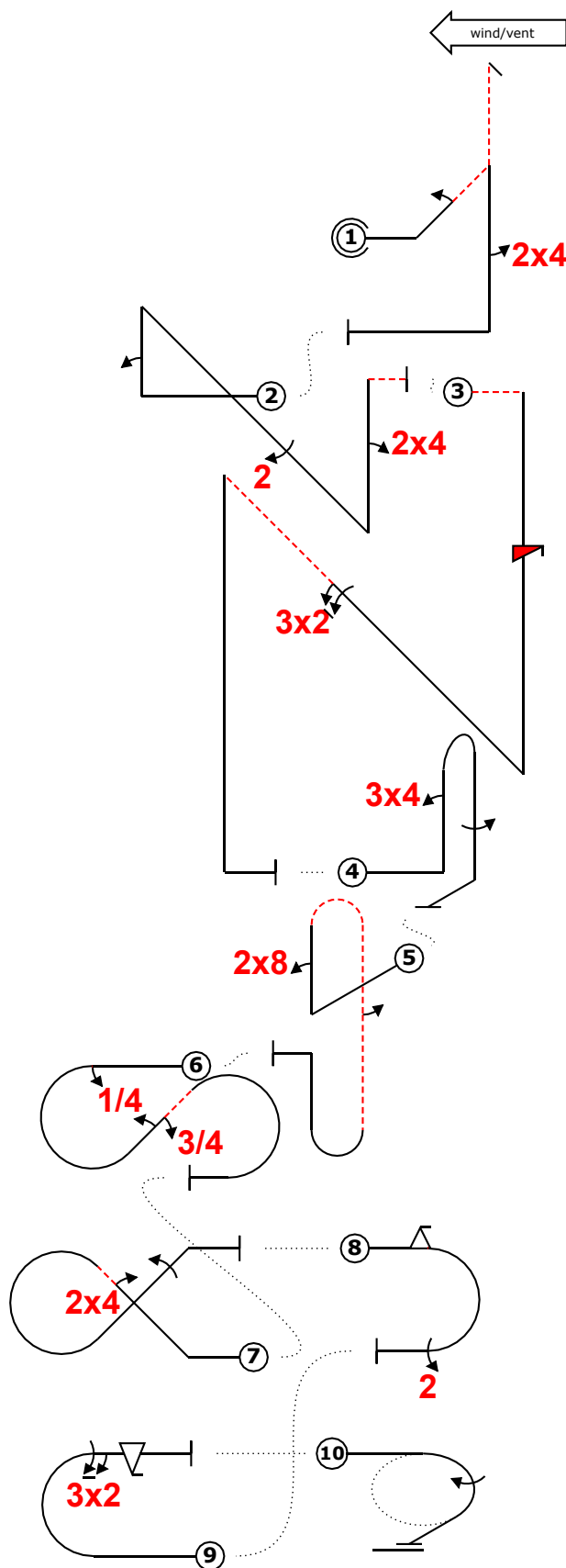
ed "@C" '2.pn('22...').'"|24- -iv... 'is... ' 44b'4... ' "@0" ~'8pBb(. '2)+''> "|6fiac('4,3),22 (-1,0) "@A" '+2dh(...)'24... (-26,1) "

MARIN C Pilot
EXTRA330 FHSDA
A/C

Pilot ID

Flight #

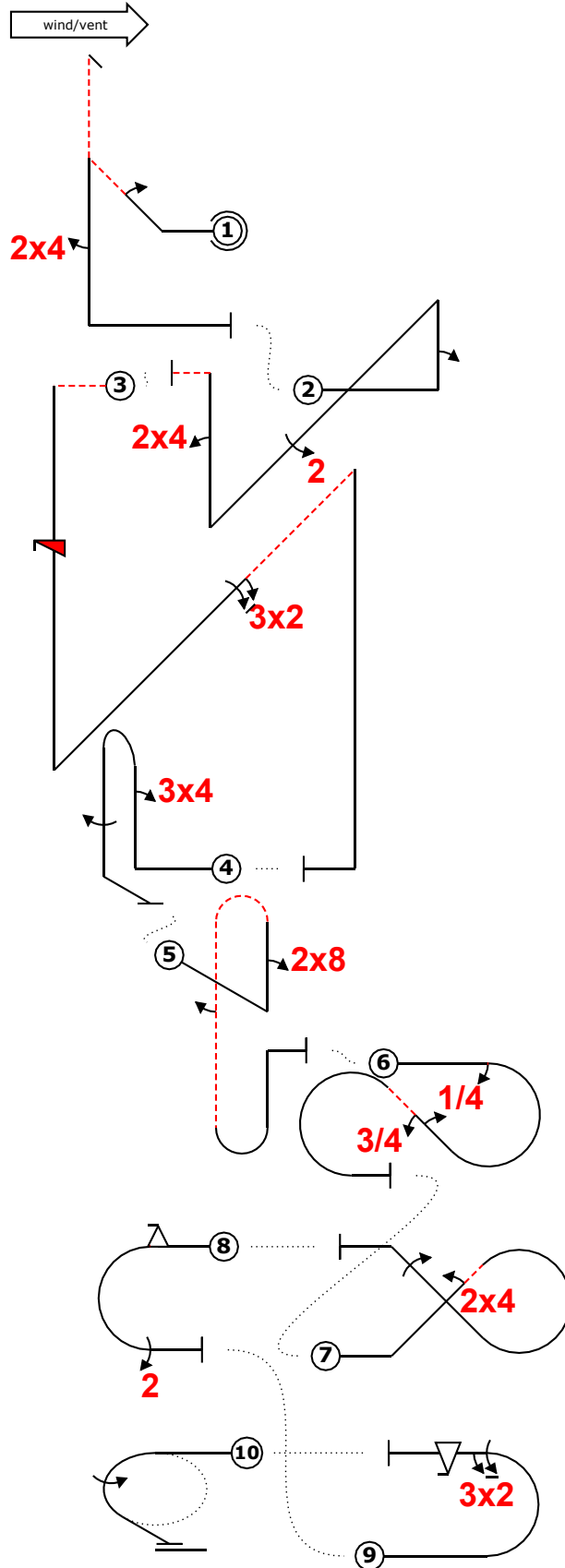
France Advanced connu-libre



"@A" 2dh.24.'++~ (-2,5) "@C" ~+2"pn(...,22.'')',24'-' (0,1) -...''is...''in(...,32...''')..... (2,0) 34b1 (2,2) "@D" ~+8''pbb(''2..'')+' (-2,1) 2iac(4,3)+ (9,14) "@E" ,|"24g1 (5,0) 2fa22 (-9,16) "@B" . 'm,32;f (7,0) 1j1

MAX Pilot
EA 330 SC F-HXAL
A/C

Pilot ID		Form C
France Advanced connu-libre		Flight #

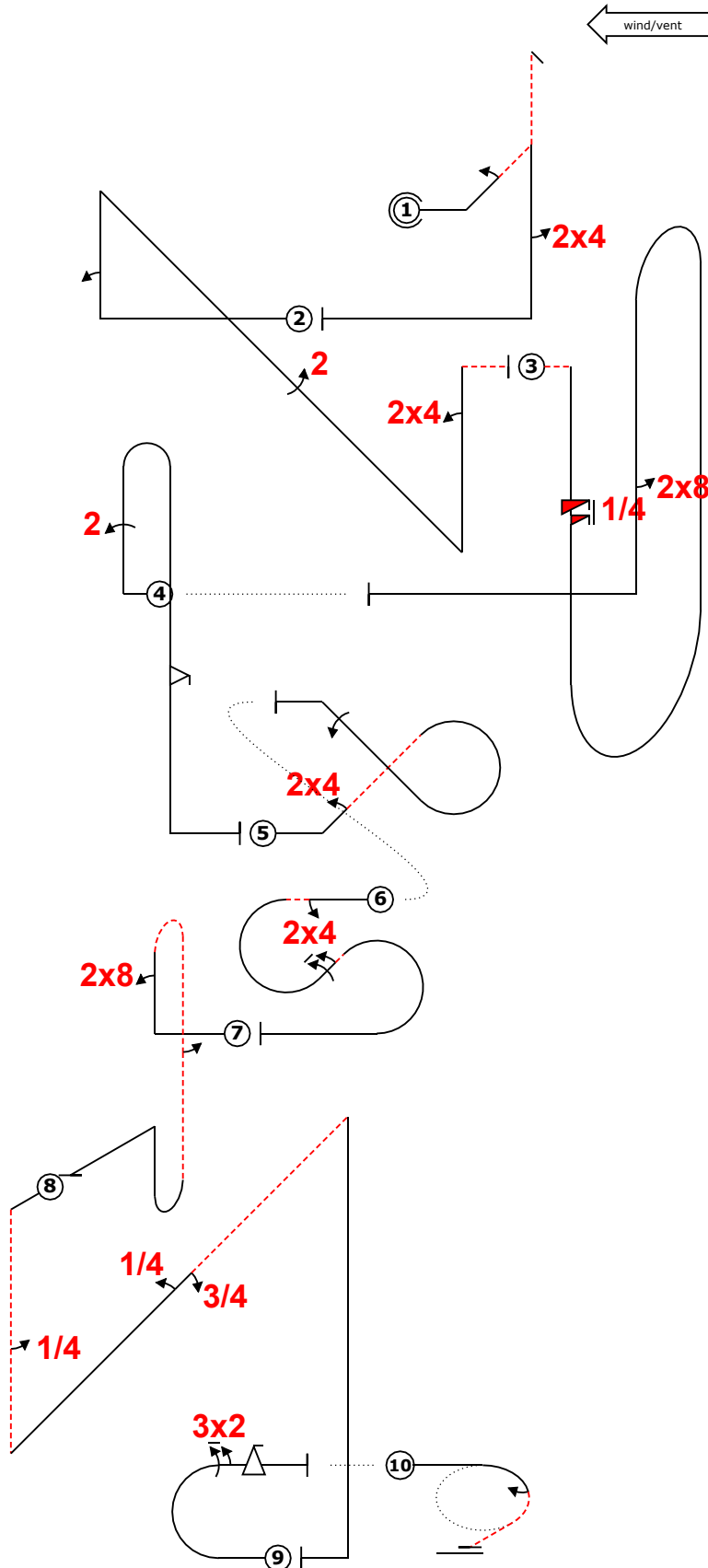


"@A" 2dh.24.'++~ (-2,5) "@C" ~m+2''pn(...,22.'')',24'-' (0,1) -...'is...'in(...32...'')..... (2,0) 34b1 (2,2) "@D" ~m+8''pbb(''2..'')'+'' (-2,1) 2iac(4,3)+ (9,14) "@E" ,|"24g1 (5,0) 2fa22 (-9,16) "@B" .'.m,32;f (7,0) 1j1

MAX Pilot
EA 330 SC F-HXAL
A/C



Pilot ID		Form B
CIVA Advanced Free Known		Flight #

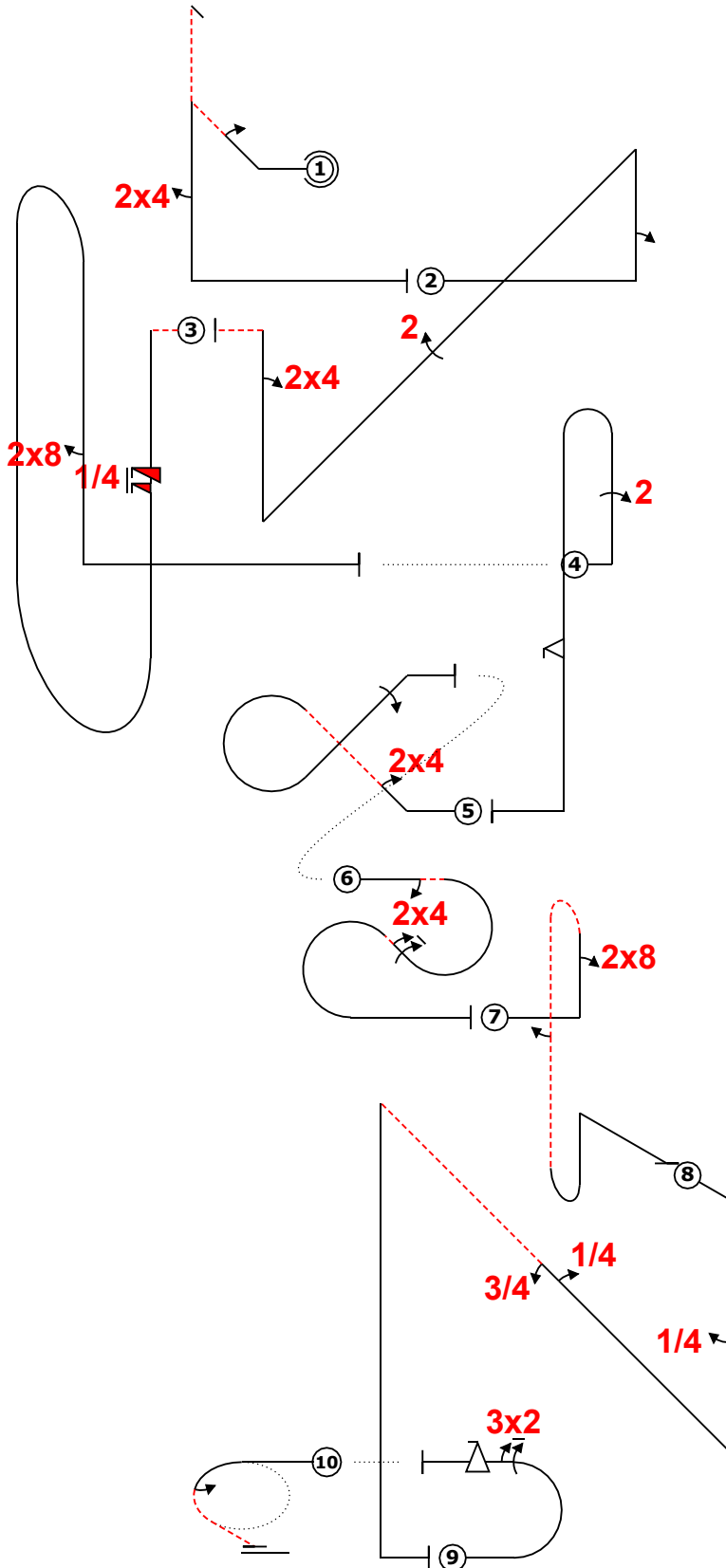


"@A" /2dh.'24.'++++~ "@C" ++++2'pn(.....'22.....')..24- 13% /-5is.'iBb(')'8+~ (-14,0)+22.b....2f... "@E"24..'g'1 (1 3,17)24''iac('6'')+ "@D" 8'pbb(2...'++4.in(....4',3.....).....' "@B" m32;f (4,0) 1j5-

Boris Fayard Pilot
Extra NG F-H A/C



		Form C
Pilot ID	CIVA Advanced Free Known	
	Flight #	

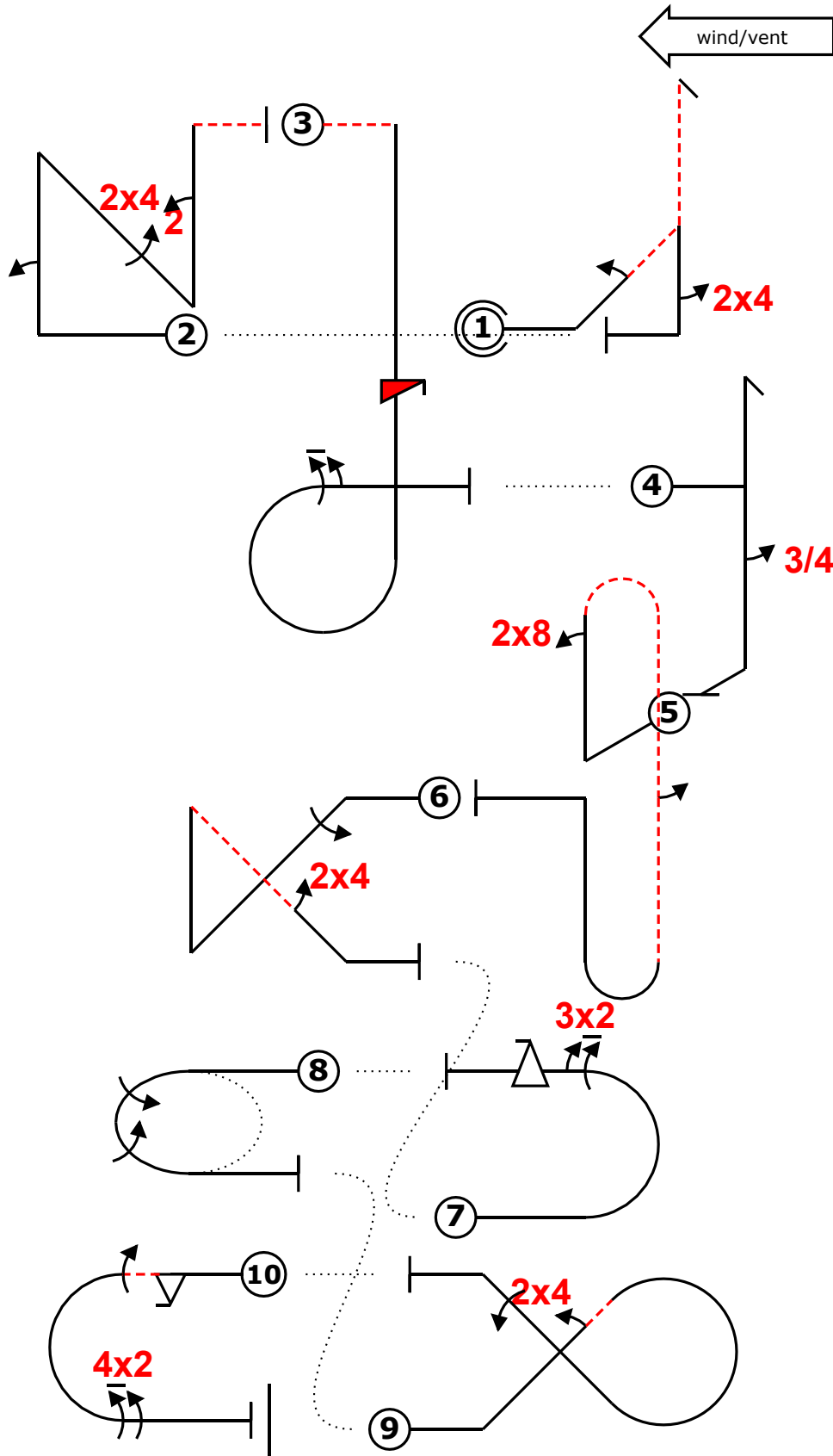


"@A" /2dh.'24.'++++~ "@C" ++++2'pn(.....'22.....')..24- 13% /.....-5is.'iBb(')'.'8+~ (-14,0)+22.b.....2f... "@E"24...'g'1 (1 3,17)24'iac('6'')+ "@D" 8'pbb(2...'++4.in(.....4',3.....).....' "@B" m32;f (4,0) 1j5-

Boris Fayard Pilot
Extra NG F-H A/C



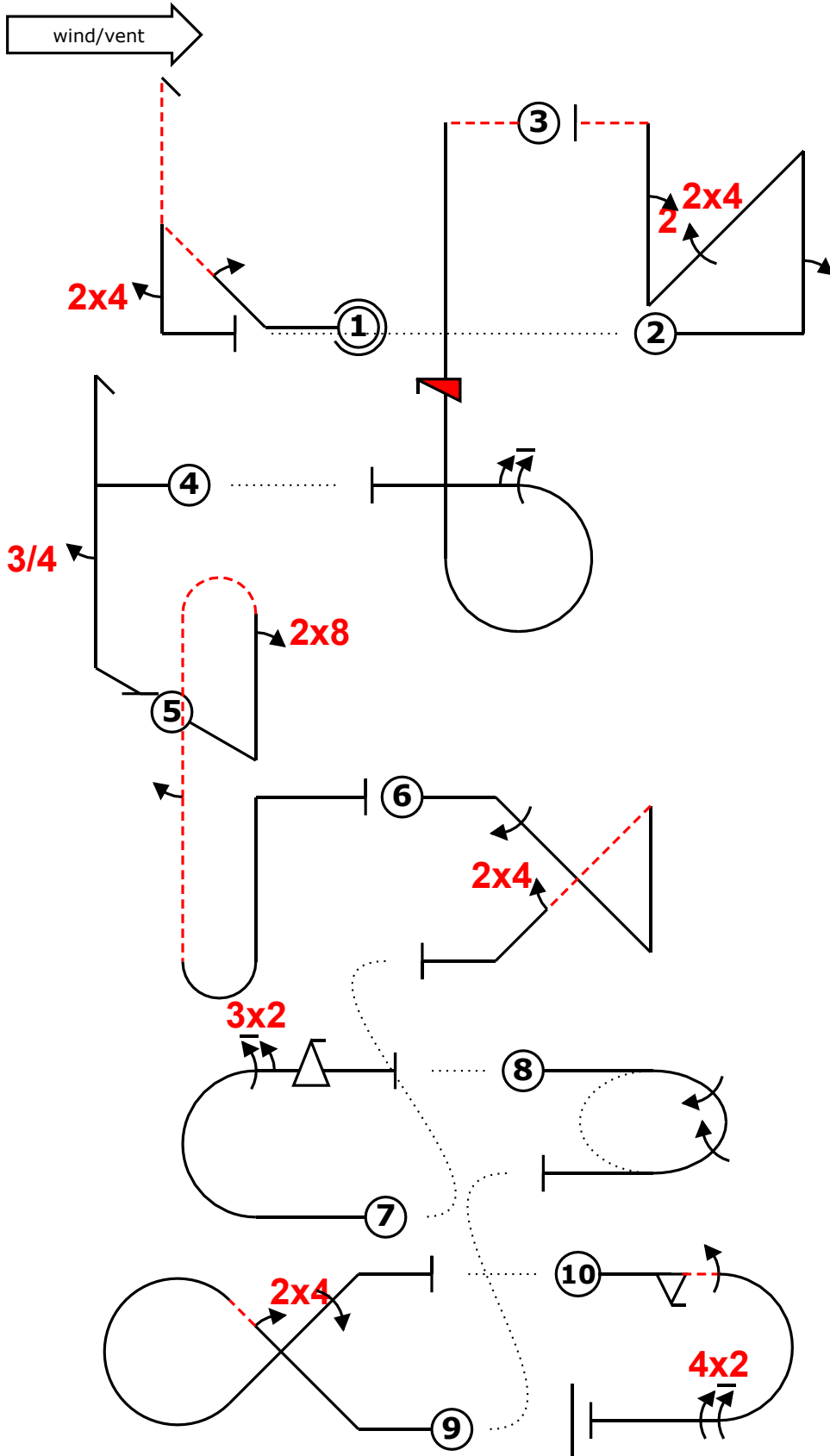
		Form B
Pilot ID	CIVA Advanced Free Known	
	Flight #	



"@A" 2dh24 (-19,0) "@C" +2pn(22)24-... 'is'irp6~ (6,0) ``h3.' "@0" '8pbb(2.''). 1iw24 (-2,14) "@8" 'm,32;f (-3,0) 2j2 (1,14) "@E" 24g1 (-4,0) 2f,1a42~

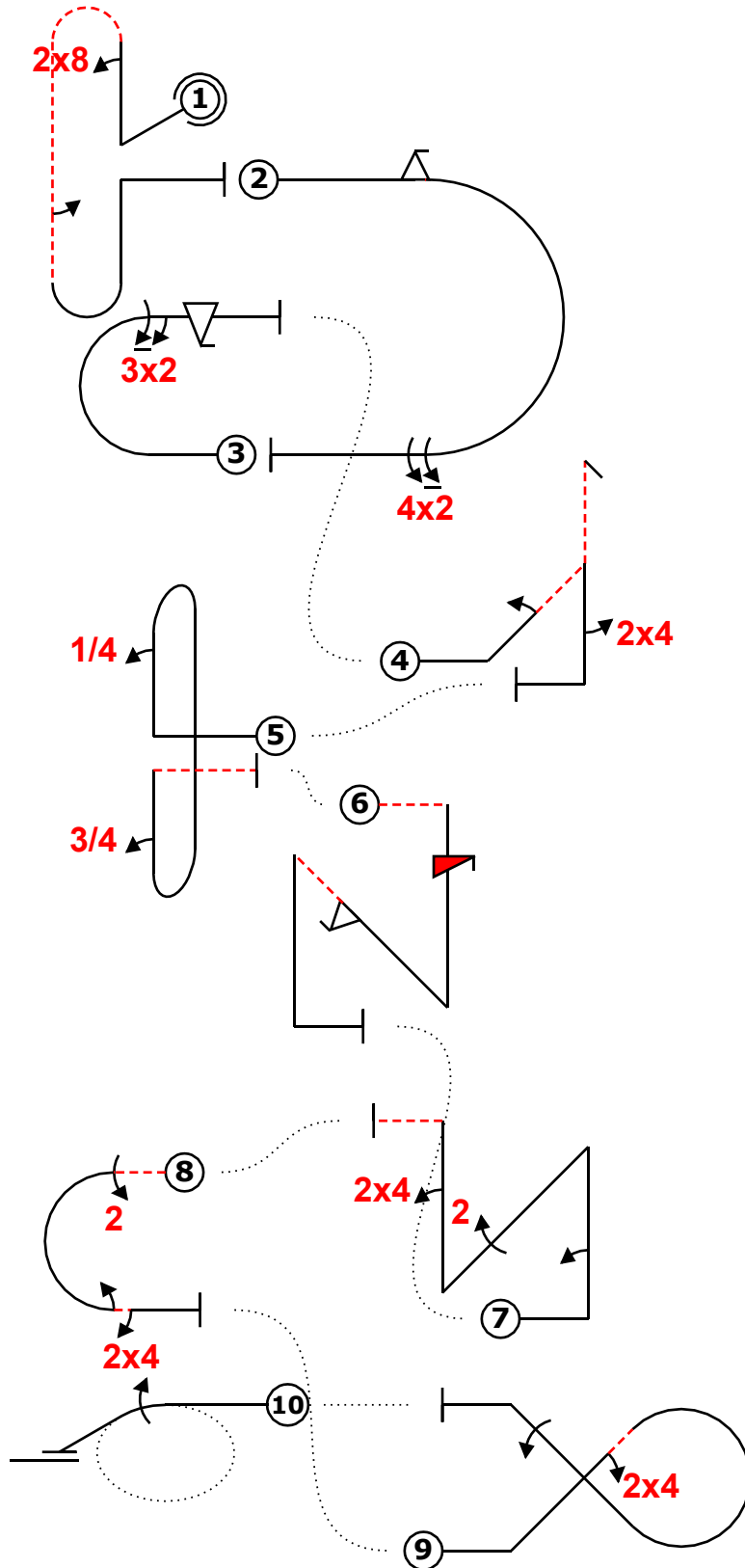
Fabien Poulard Pilot
CAP 231 F-GRSL A/C

		Form C
Pilot ID	CIVA Advanced Free Known	
	Flight #	



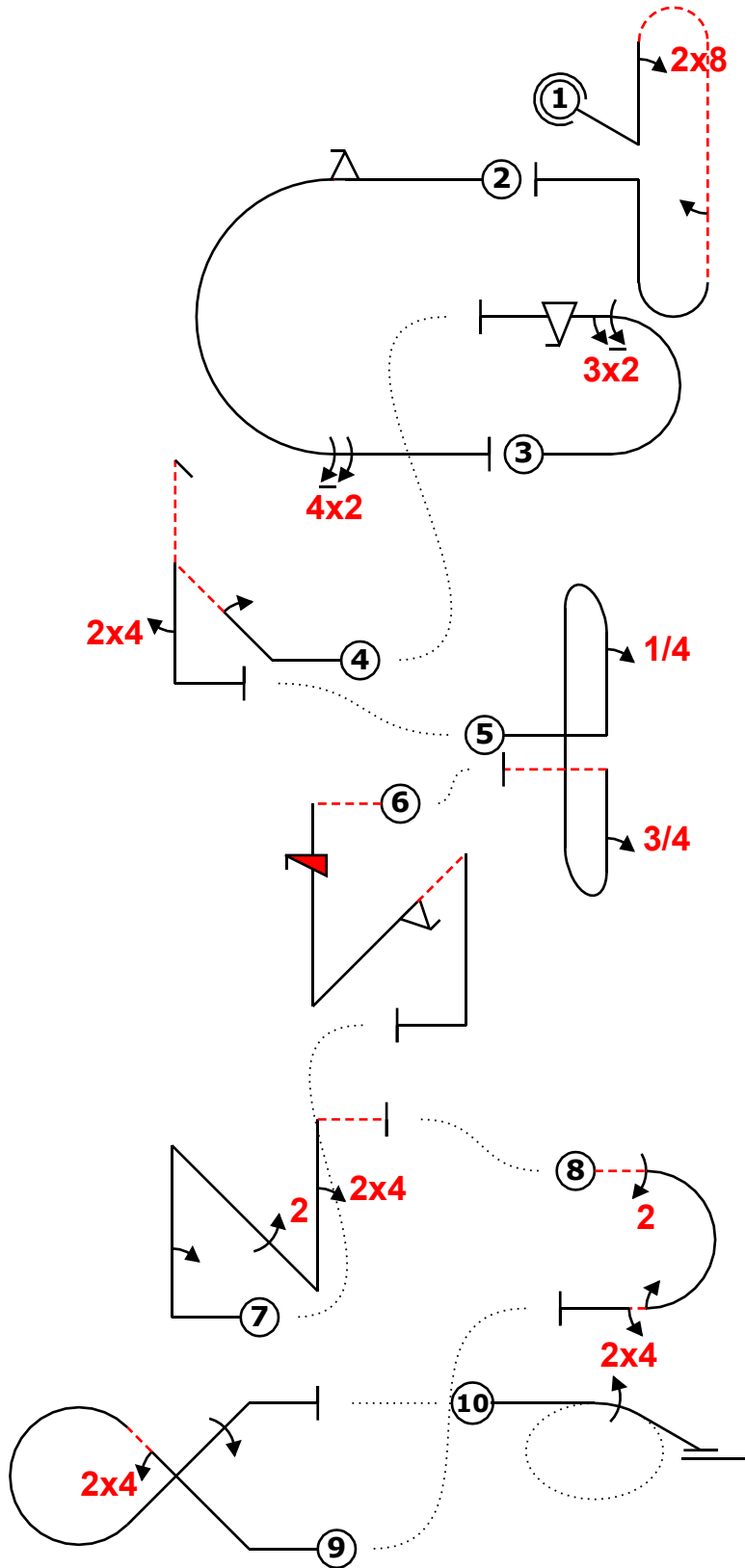
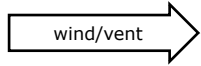
Pilot ID		Form B
France Advanced connu-libre		Flight #

← wind/vent



leonard Pilot
EA330 F-HLIX
A/C

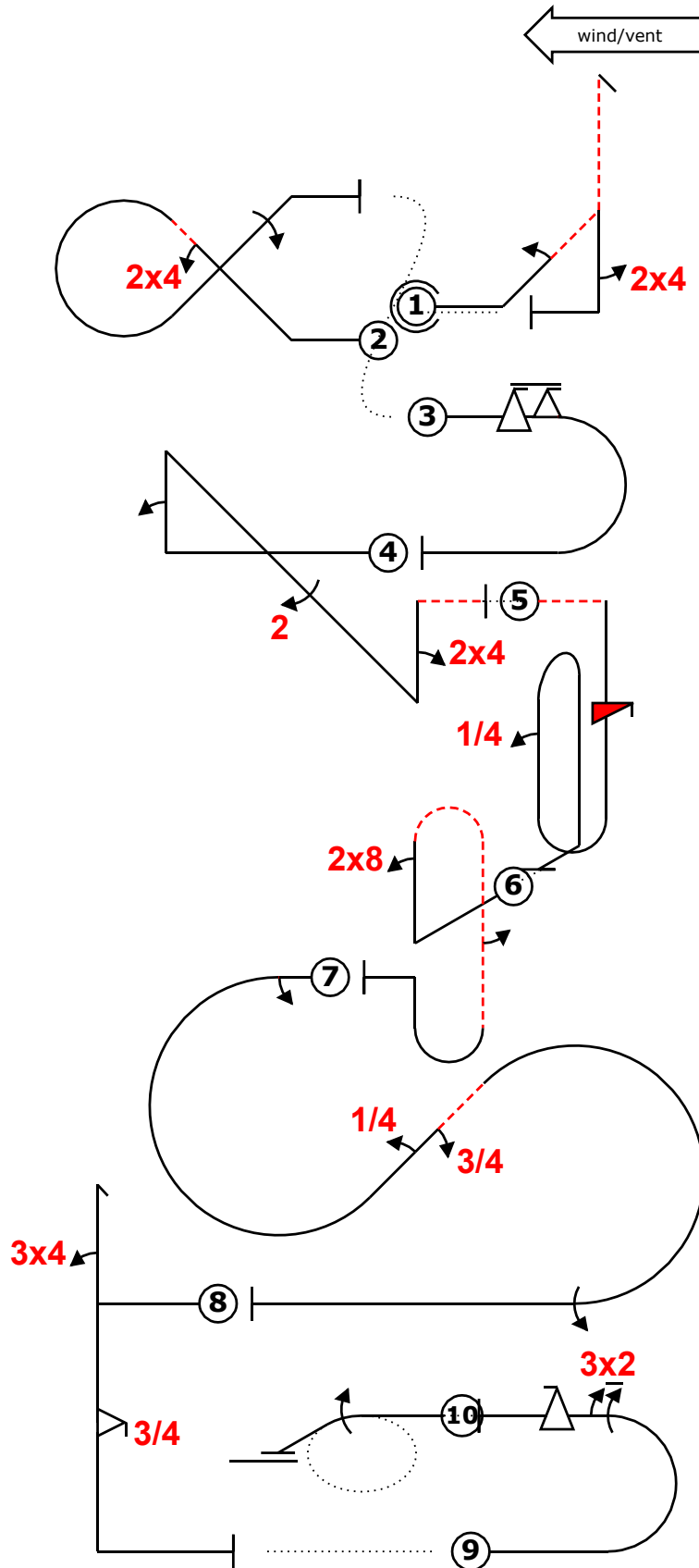
Pilot ID		Form C
France Advanced connu-libre		Flight #



leonard Pilot
EA330 F-HLIX
A/C



Castres Mazamet 19/09/2021		Form B
Pilot ID	CIVA Advanced Programme1	Flight #

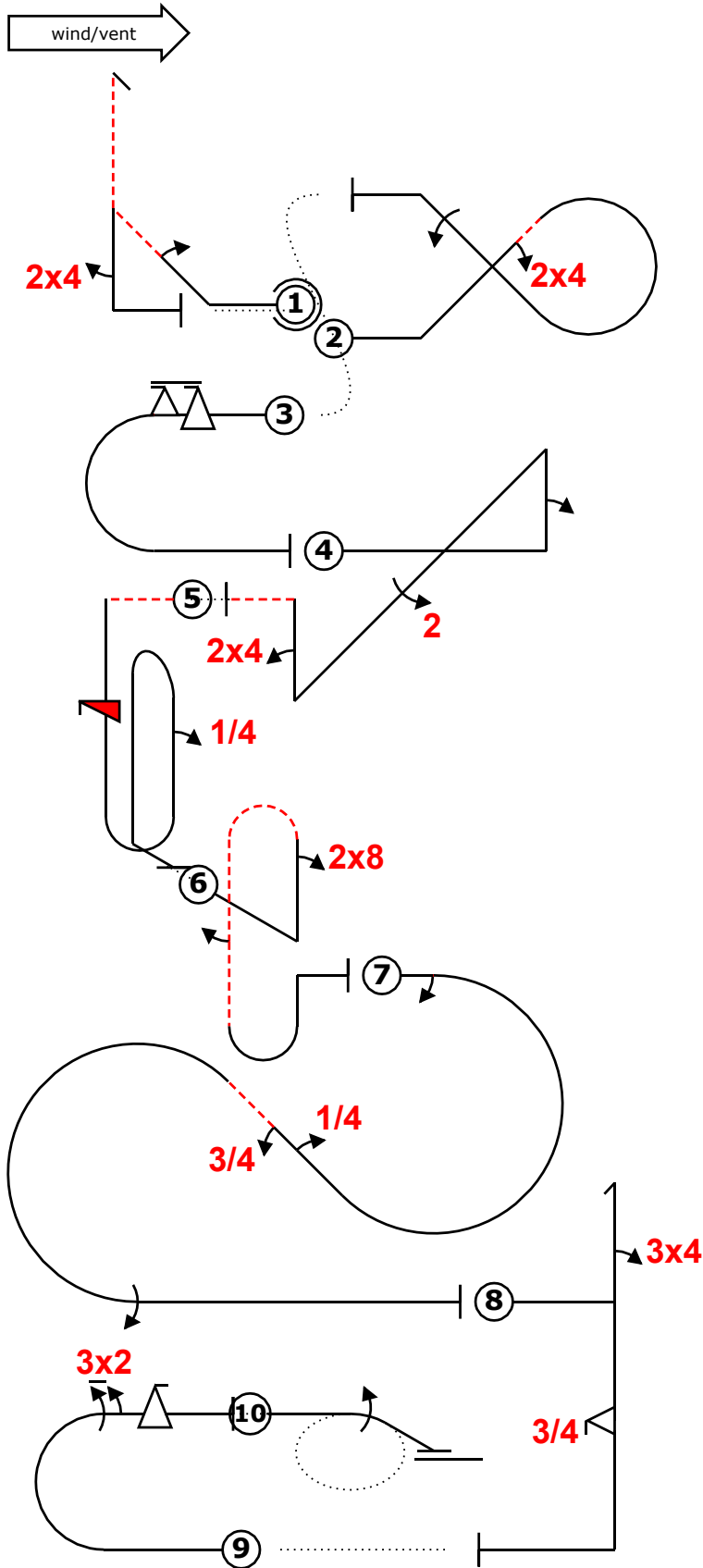


"@A" 2dh24 (-5,0) "@E" 24g,1 (0,13) 6fa+~ "@C" ~++2''pn(.,22.'')''',24' (-2,0) ''is.' 'ibb(''4'')'. '+' (2,-1) "@0" ~8pb(''2'')
 +> 9% 2iac('4',3')1+ ~34h.3f.' '+ (10,0) "@B" .m,32;f (3,0) -2% 1jo1

Margaux TAHAR Pilot
EA330SC D-EXBE A/C



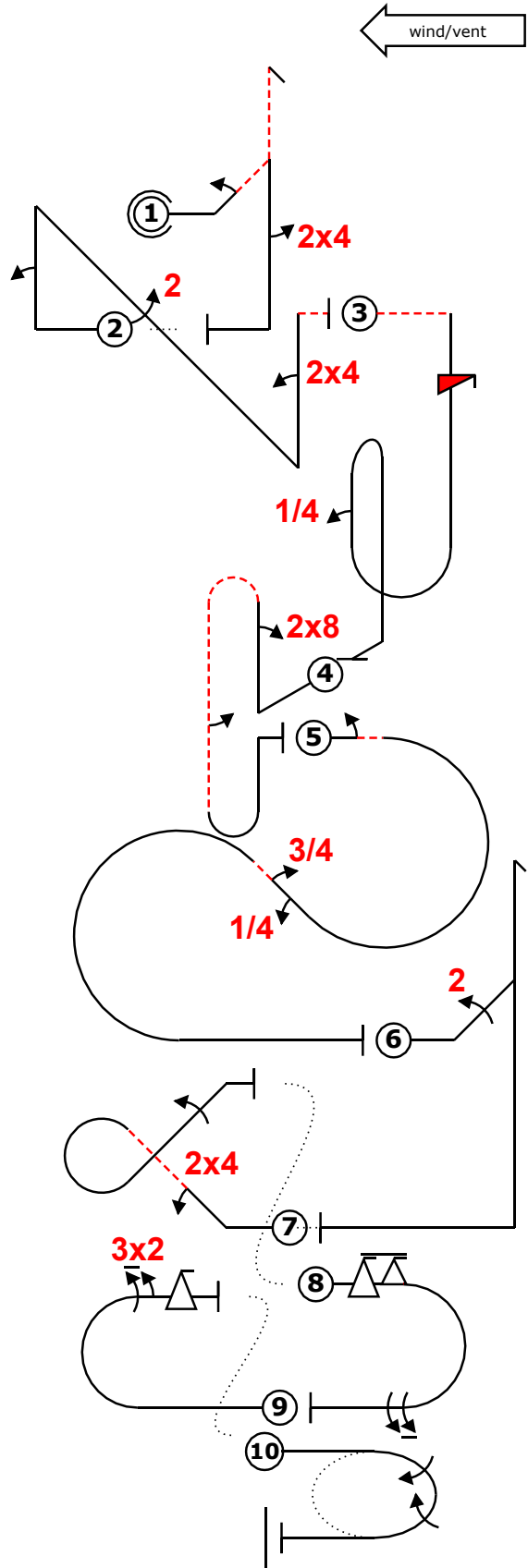
Castres Mazamet 19/09/2021		Form C
Pilot ID	CIVA Advanced Programme1	Flight #



"@A" 2dh24 (-5,0) "@E" 24g,1 (0,13) 6fa+~ "@C" ~~~+ 2' ~~~pn(.,,22.'') ~~~,24' (-2,0) ~~~is.' 'ibb('4'') .'+ ~ (2,-1) "@0" ~8pb('2')

Margaux TAHAR Pilot
EA330SC D-EXBE A/C

		Form B
Pilot ID	CIVA Advanced Programme1	
	Flight #	

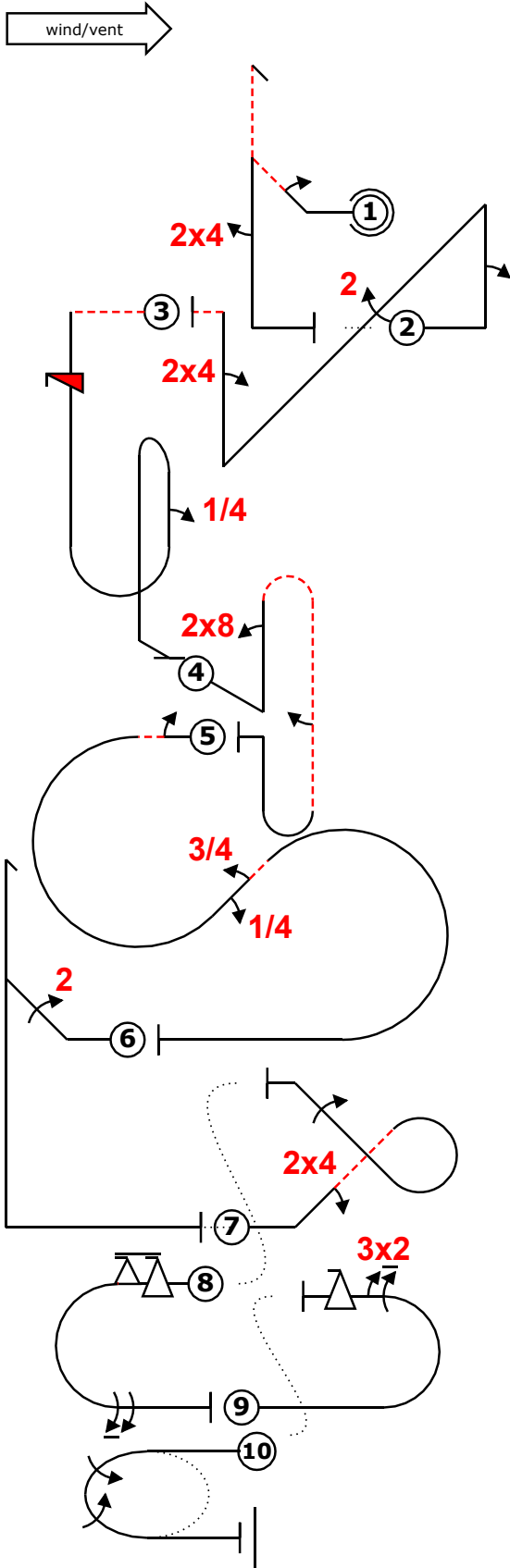


"@A" "+" "2" dh(") "24." (-2,0) "@C" 2" pn("22...") "24" -2% -is...iBb(.....4) ... "+" "@D" -2% ~"1,8" pbb(2.) + "7%2
'iac("4,3" + -3% 22dh(.) +++++~ (2,0) -4% "@E" ~" "24...g.1" + (0,13) "6fa9~ -1% "@B" . "m32;" | "f+ " (-1,9) 2j2

Tommy Pilot
EXTRA FHDBV
A/C



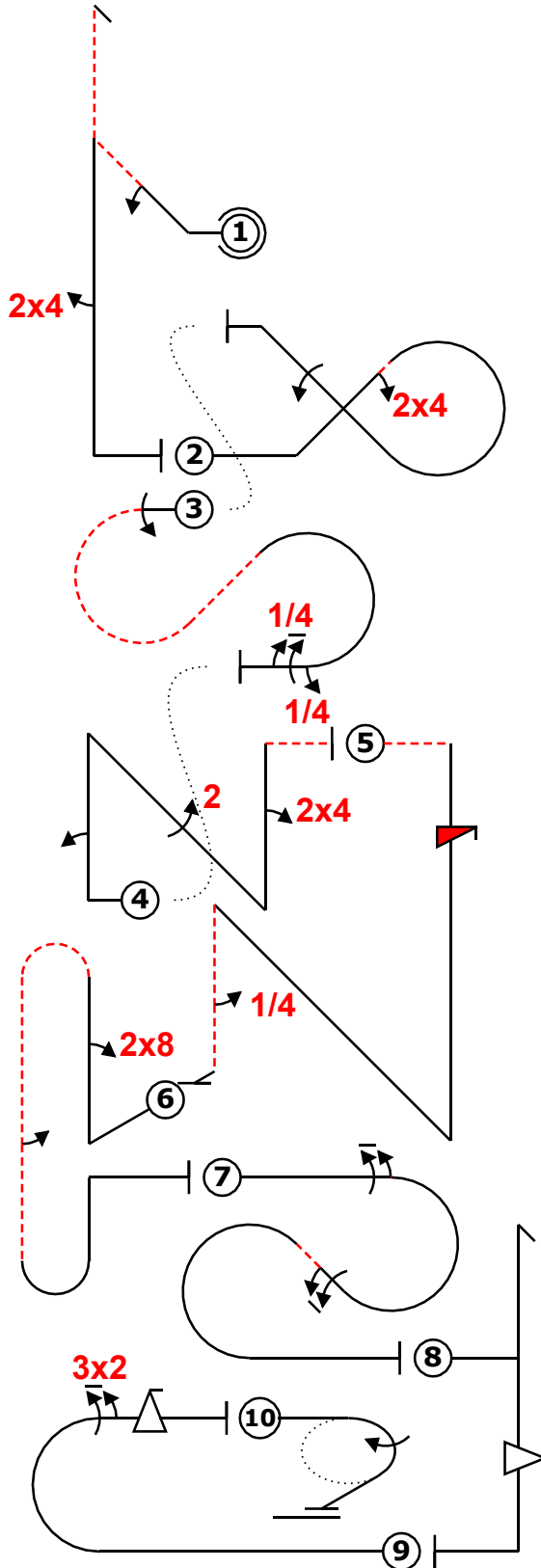
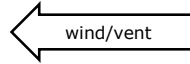
		Form C
Pilot ID	CIVA Advanced Programme1	
	Flight #	



"@A" ~+~2'dh(~)'24.' (-2,0) "@C" 2~pn('22...)'|"24~"-2% -is...iBb(.....4')...+~ "@D" -2% ~'1,8'pbb(2.)+~ 7%2
'iac(~'4,3~')+.....-3% 22dh(.).....++++~ (2,0) -4% "@E" ~'~|"24...g.1'+ (0,13) ~6fa9~ -1% "@B" .~'~m32;|"f+~ (-1,9) 2j2

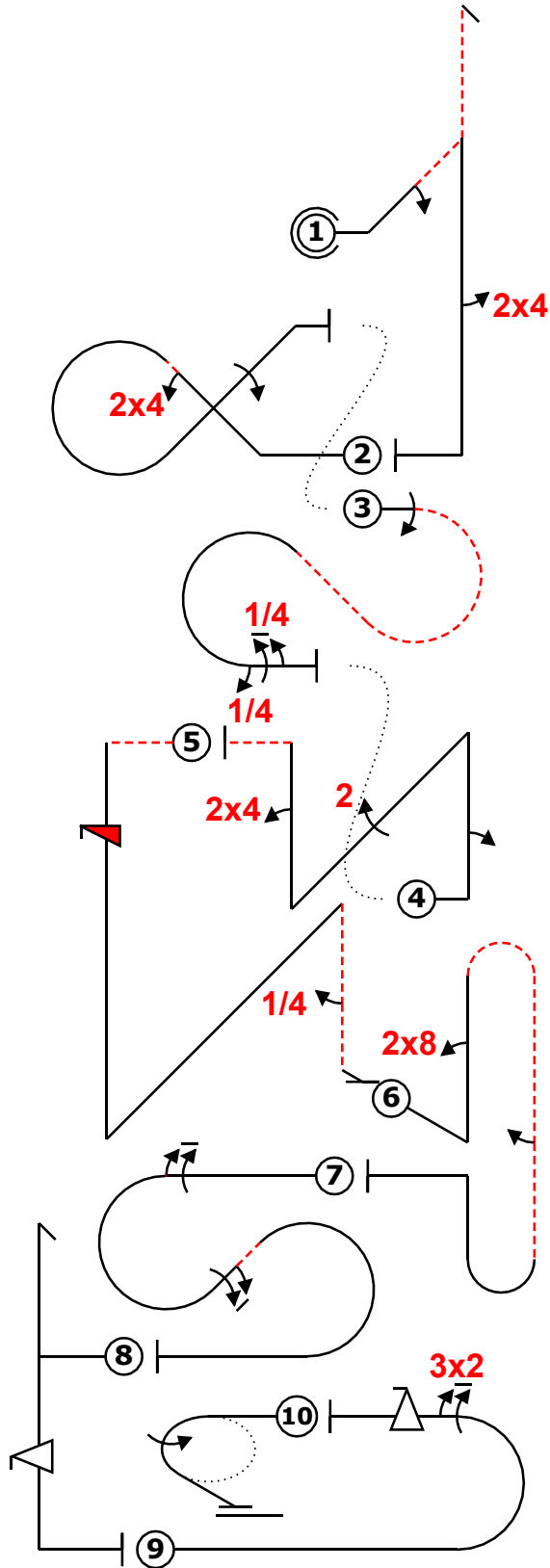
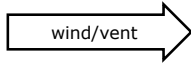
Tommy Pilot
EXTRA FHDV
A/C

Pilot ID		Form B
France Advanced connu-libre		Flight #



Alexandre Thorel
 Pilot
 Cap 332 F-GRPA
 A/C

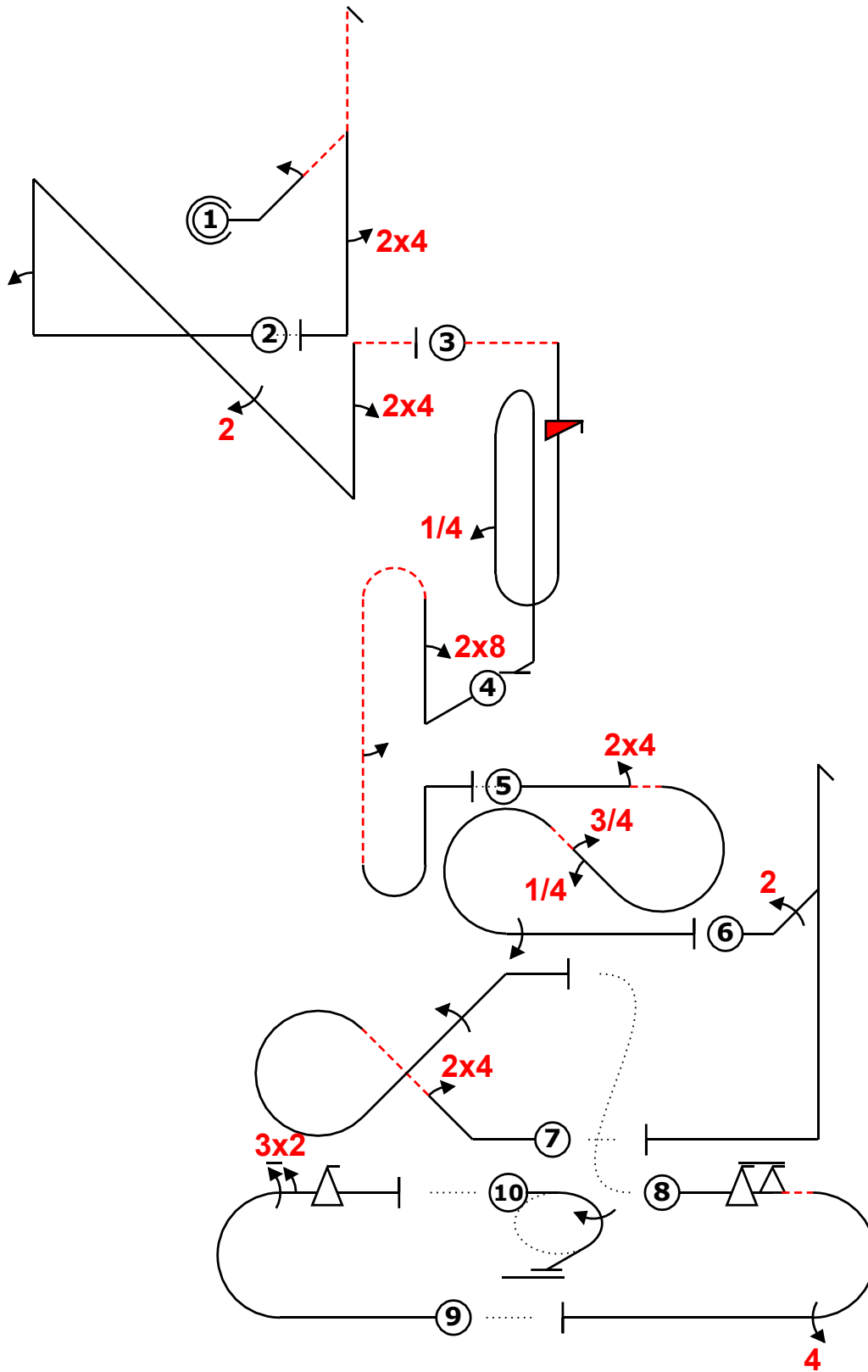
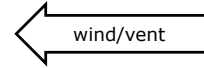
Pilot ID		Form C
France Advanced connu-libre		Flight #



ed "@A" +2dh...24... "E" ~,24'g'1''+ (2,11) 1iac4,5+ (-2,14) "@C" +2pn(22.),24- -'is....in(...)'4+
 "@D" ',8.pbb(2.) 6iac('6')+ h''f.- "@B" 'm32;f -3% 1j1~

Alexandre Thorel
 Pilot
 Cap 332 F-GRPA
 A/C

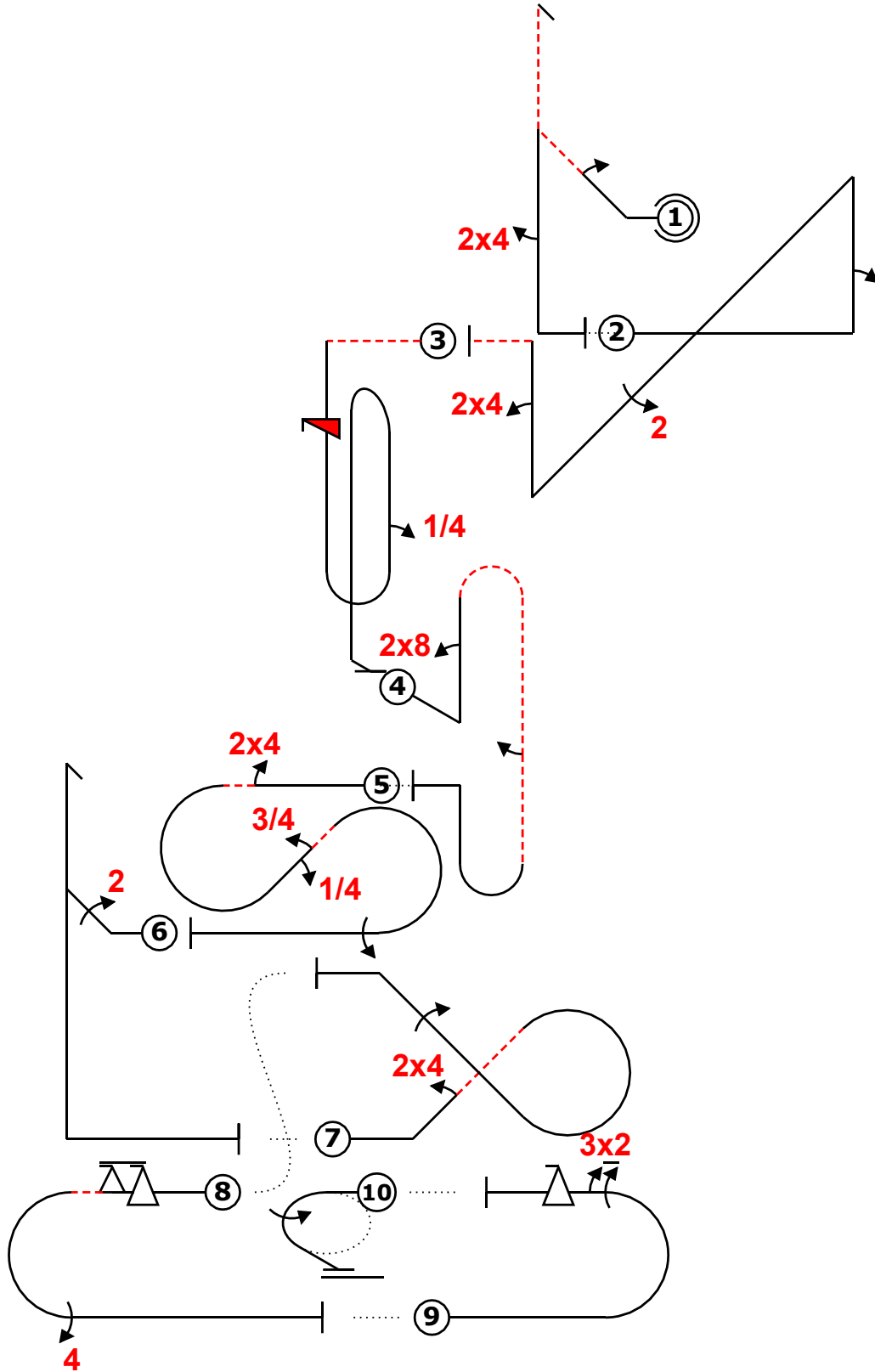
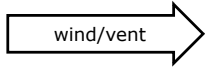
Pilot ID		Form B
France Advanced connu-libre		Flight #



"@A" ...+2dh.24.'+' (2,0) "@C" ~++2pn(.....,22.''),24- -is...' 'ibb(.....4'')...'+' "@D" ',+8' 'pbb(2.)+' (-2,0)24''iac(4,3
''),1++' '22'' dh...'++~ (-2,0) "@E"',24.'g'1'' (2,14) 6f''a44+++ (-3,0) "@B" ..m32;F (3,0) -3%+1j1

Salomé GILLES Pilot
EXTRA 330 F-HLAS A/C

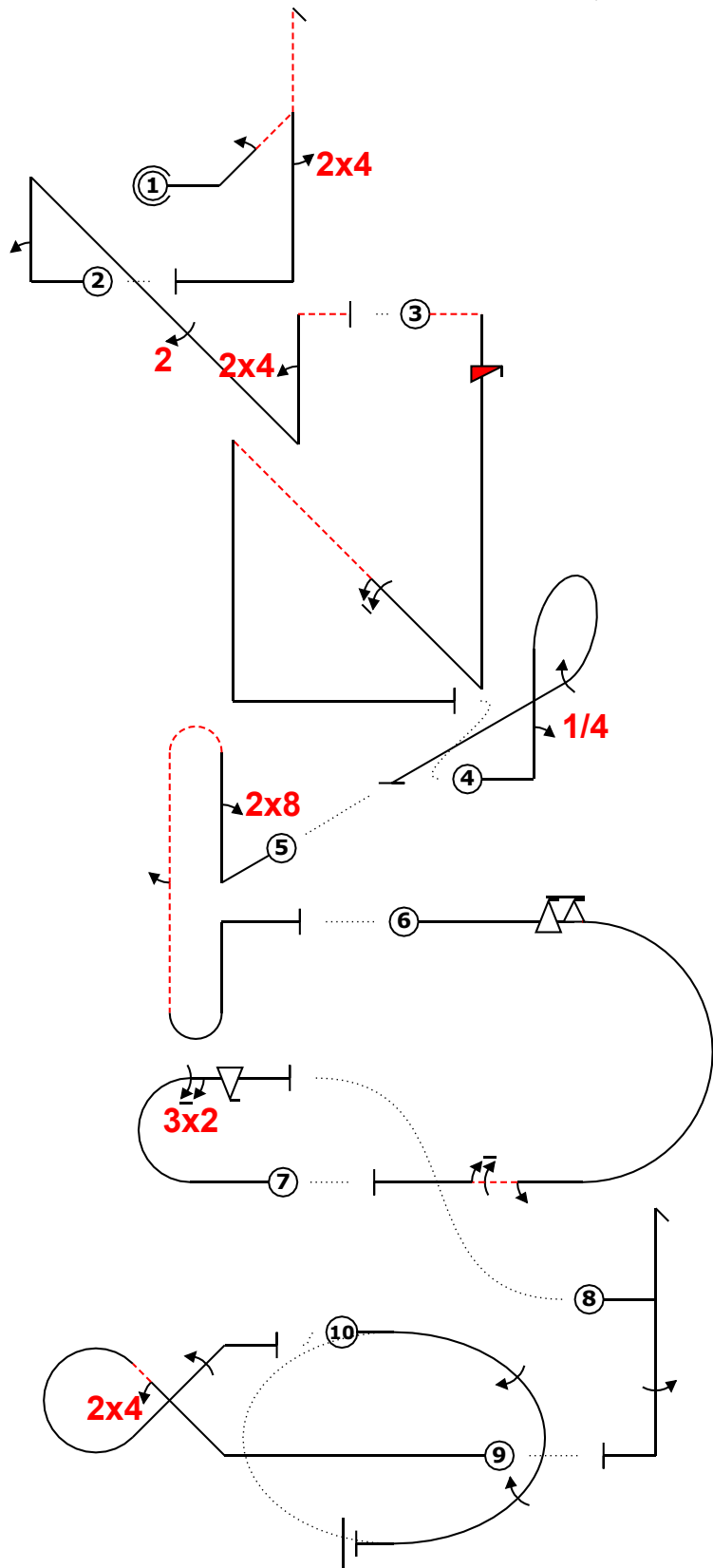
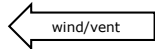
Pilot ID		Form C
France Advanced connu-libre		Flight #



"@A" ...+2dh.24.'+' (2,0) "@C" ~++2pn(...,22.''),24- -is...' 'ibb(.....4'')...'+' "@D" '+,8' 'pbb(2.)+' (-2,0)24''iac(4,3
''),1++' '22''dh...'++~ (-2,0) "@E"24.'g'1'' (2,14) 6f''a44+++ (-3,0) "@B" ..m32;F (3,0) -3%+1j1

Salomé GILLES Pilot
EXTRA 330 F-HLAS A/C

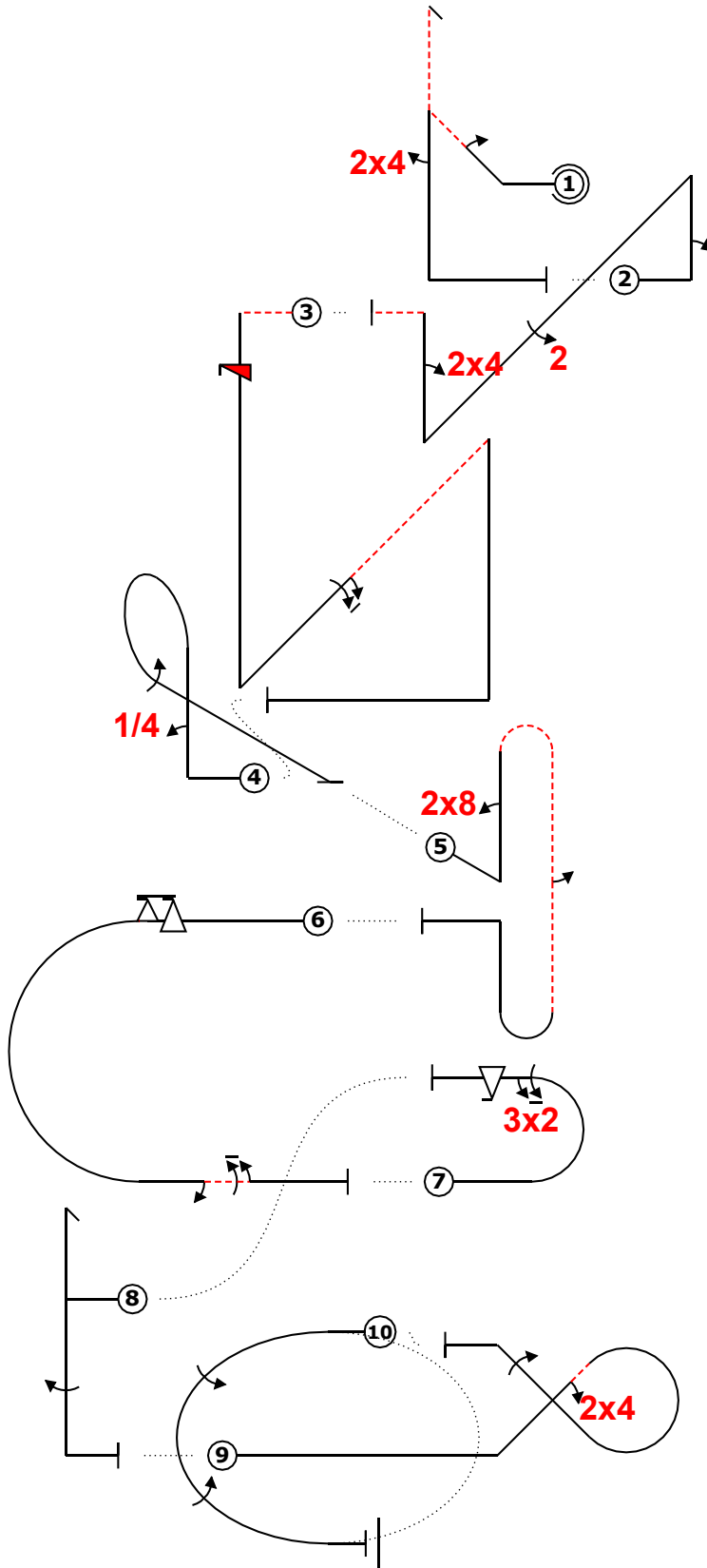
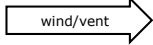
		Form B
Pilot ID	CIVA Advanced Programme1	Flight #



"@A" 2dh24..'+~ (-2,0) "@C" `2`pn(...,22...'')24- (1,0) -is.....in(.6...'')...'+~ (-3,6) ',,4rp,1++++~ (-5,3) "@D" ',,8.pbb(,2..)'> (4,0) 15% 6fa''2,6+' (-3,0) "@B" ''m,32;f (19,17) `h.1. (-4,0) "@E" ~+++++24g1 (1,-1) 19%+2j2+

Sébastien Bourdillon
Pilot
ARS300 YR-CAP
A/C

Pilot ID		Form C
CIVA Advanced Programme1		Flight #

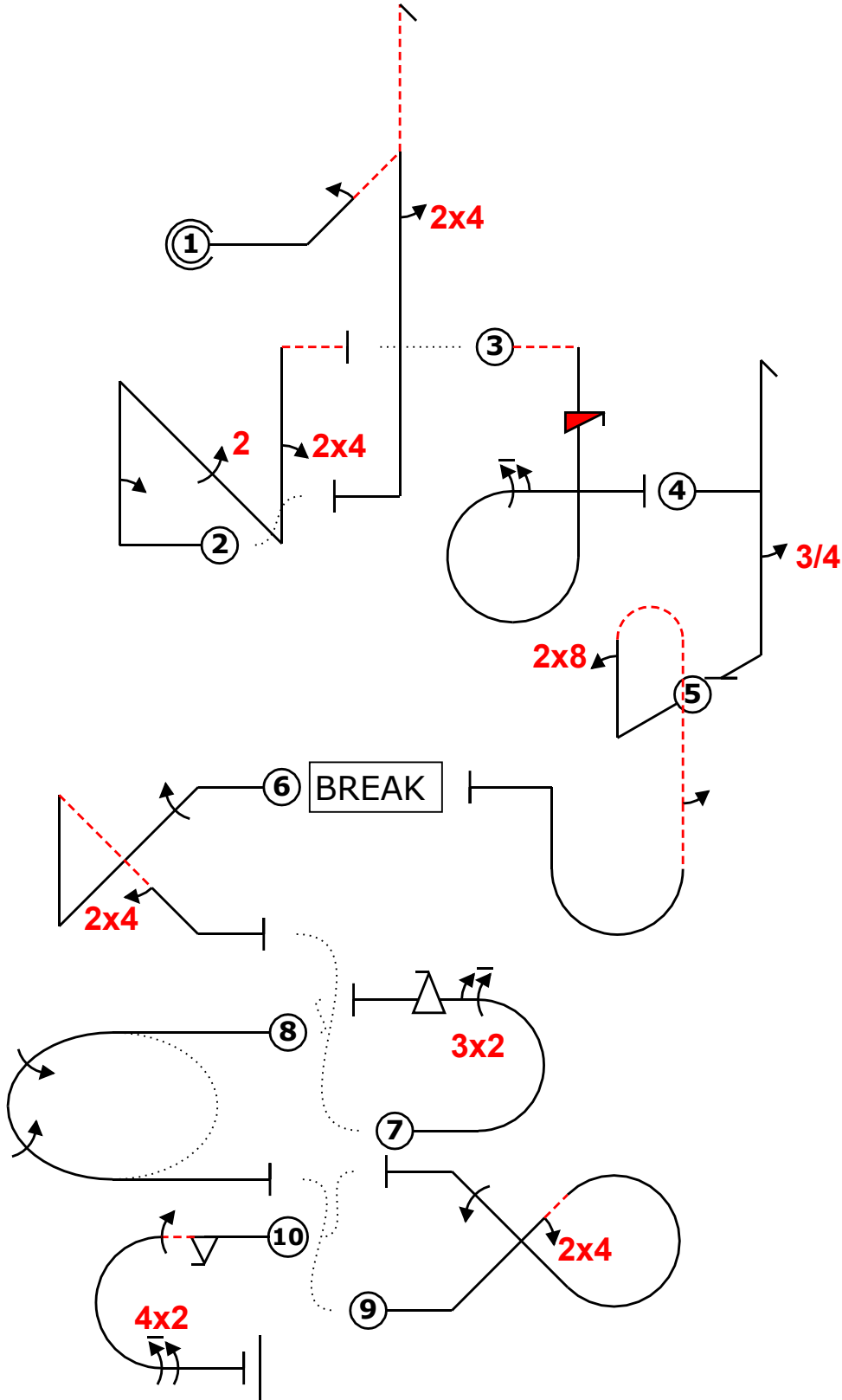


"@A" 2dh24..'+~ (-2,0) "@C" `2`pn(...,22..'')24- (1,0) -is.....in(.6...'')...'+~ (-3,6) ',,4rp,1++++~ (-5,3) "@D" ',,8.pbb(,2..)'> (4,0) 15% 6fa''2,6+' (-3,0) "@B" ''m,32;f (19,17) `h.1. (-4,0) "@E" ~+++++24g1 (1,-1) 19%+2j2+

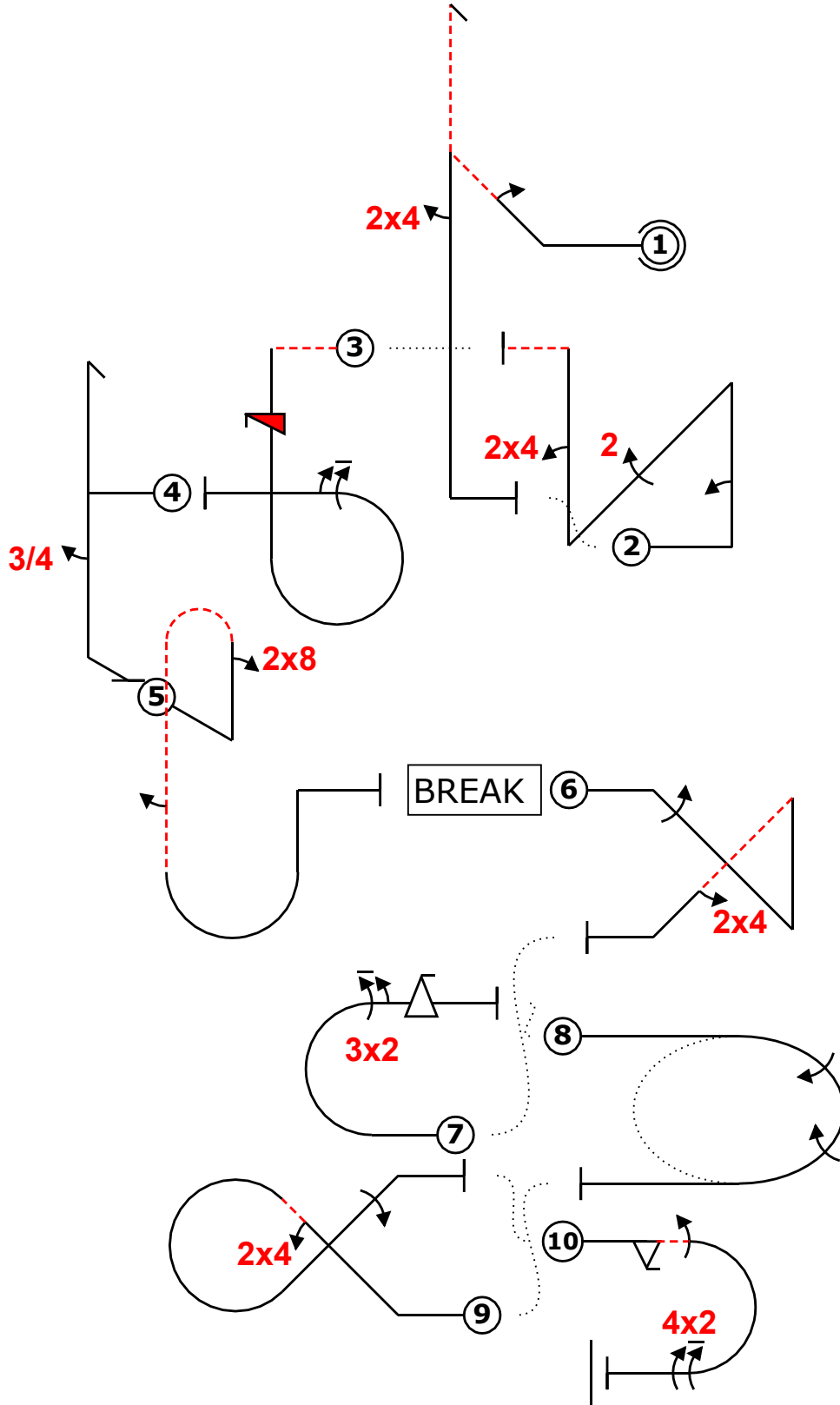
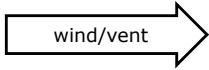
Sébastien Bourdillon
Pilot
ARS300 YR-CAP
A/C

Pilot ID		Form B
France Advanced connu-libre		Flight #

← wind/vent



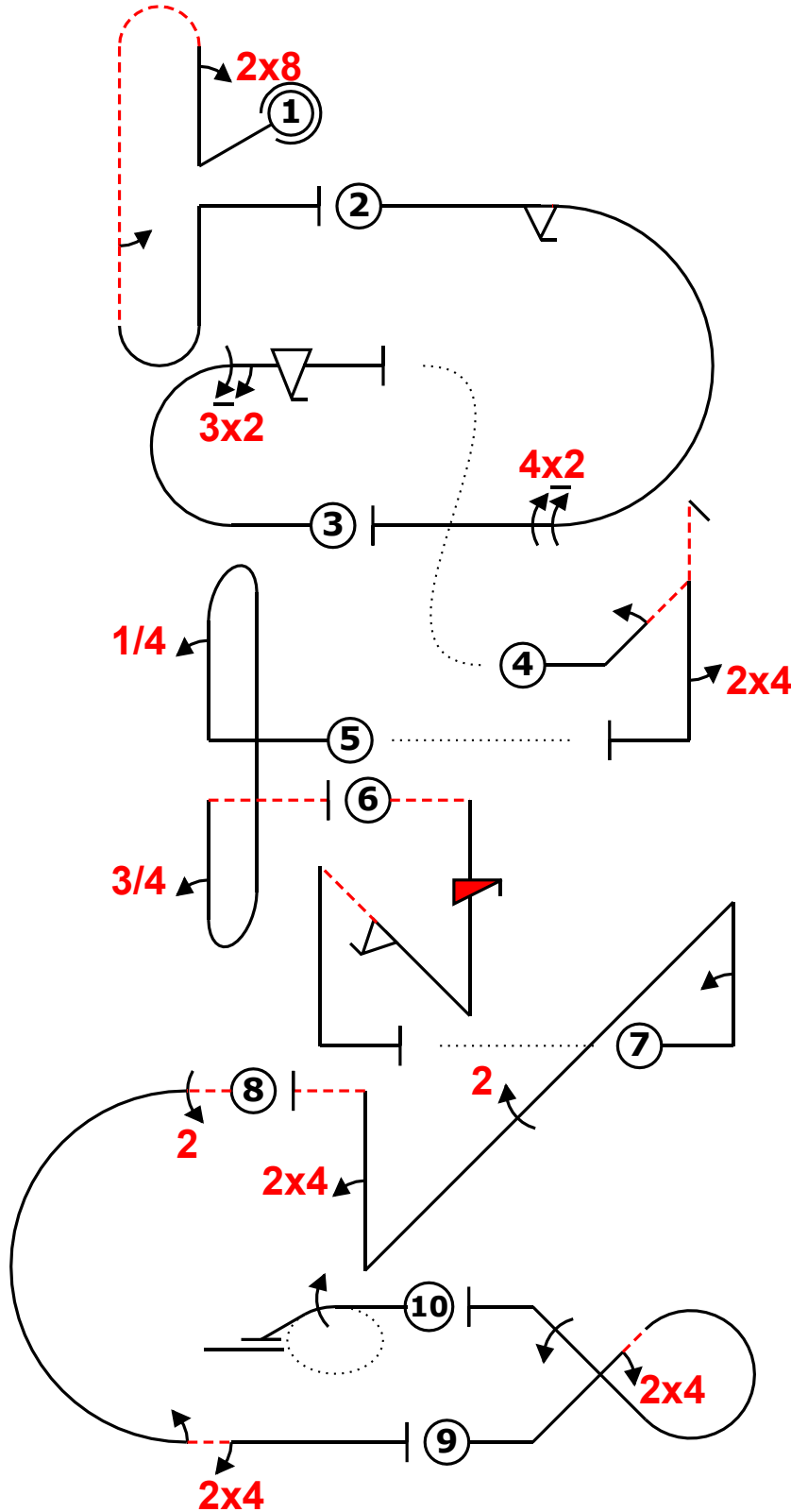
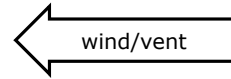
Pilot ID		Form C
France Advanced connu-libre		Flight #



"@A" ~2dh(')24.... (-3,3) "@C" ~,|"2pn(22''),24''- (5,0) -isirp6~ h3.' "@D" 8pbB(2)`+ "BREAK " ,1iw,24 (4,12) "@B" m,"|32;f (0,2) 6% 2j2 (2,8) "@E" ,24g1 (-2,4) 2f,1a42

SCHAMPS-BERGER Pierre-Hervé
 Pilot
 CAP 231 F-GRSL
 A/C

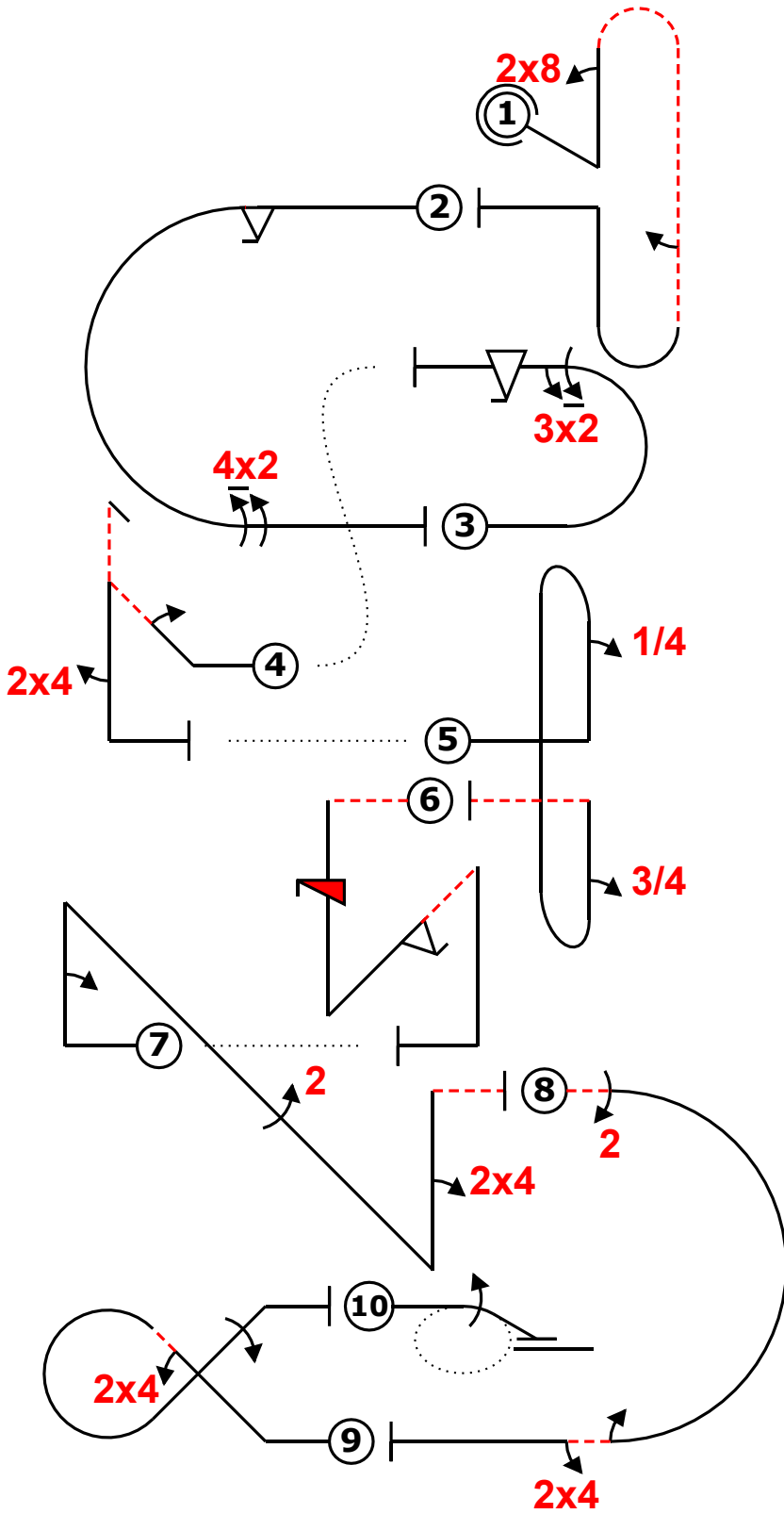
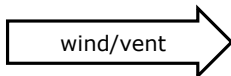
CIVA Advanced Programme1



Pilot ID

CIVA Advanced Programme1

Flight #



CYS Sylvain Pilot
Extra 330 SC F-HLAS
A/C